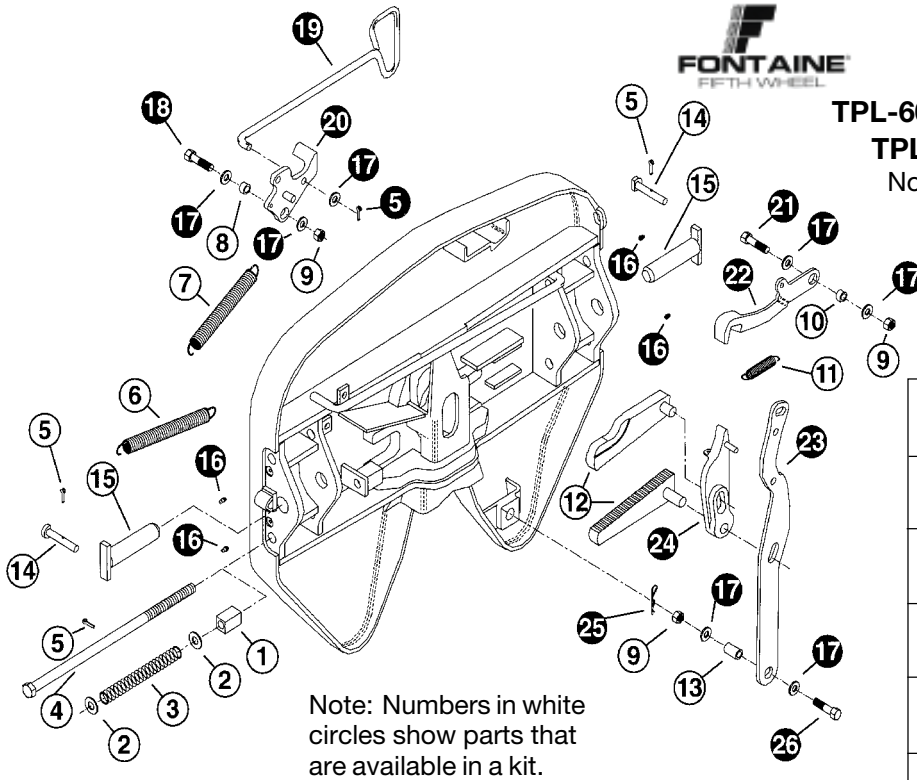


FONTAINE NO-SLACK II® 6000 SERIES TOP PLATE



No-Slack II
6000 Series Top Plate
TPL-6000L (Left Side Release Shown)
TPL-6000R (Right Side Release)
 Note: Numbers in white circles show parts that are available in a kit.

*Specify left side or right side release by adding an L or R after Part number

T-H-KIT-RPR-6000* No-Slack II Repair Kit		
Item No.	Description	Qty.
6	Bumper Spring	1
7	Handle Spring	1
8	Bushing, 7/16"	1
9	Hex Lock Nut, 1/2"-13	3
10	Bushing, 5/16"	1
11	Timer Spring	1
12	Step Jaw and Wedge Set	1

Note: Numbers in white circles show parts that are available in a kit.

Item No.	Description	Part No.	Qty.	Item No.	Description	Part No.	Qty.
1	Wedge Stop Rod Nut	T-H-NUT-319	1	14	Bracket Retainer Pin	T-H-PIN-124P	2
2	Flat Washer, 5/8"	T-H-WSH-304-5	2	15	Bracket Pin	T-H-PIN-6000	2
3	Wedge Stop Rod Spring	T-H-SPR-317	1	16	Grease Fitting	T-H-MS-C-375	4
4	Wedge Stop Rod	T-H-KIT-ROD-1108	1	17	Flat Washer, 1/2" ID, 1 3/8" OD	T-H-WSH-304-4	7
5	Cotter Pin, 3/16" x 1	T-H-PIN-165	4	18	Hex Head Bolt, 1/2-13 x 1 1/2"	T-H-BLT-302-13	1
6	Bumper Spring	T-H-SPR-128	1	19	Pull Handle	T-H-PUL-6000P*	1
7	Handle Spring	T-H-SPR-338	1	20	Secondary Lock	T-H-LAT-6000*	1
8	Bushing, 7/16"	T-H-BSH-115	1	21	Hex Head Bolt, 1/2-13 x 1 3/4"	T-H-BLT-302-14	1
9	Hex Lock Nut, 1/2"-13	T-H-NUT-303-9	3	22	Bumper	T-H-BPR-6000*	1
10	Bushing, 5/16"	T-H-BSH-629	1	23	Operating Handle	T-H-OPR-6000	1
11	Timer Spring	T-H-CD-SPR-236	1	24	Timer	T-H-TMR-6000*	1
12	Step Jaw and Wedge set	T-H-WED-6000*	1	25	Hair Pin Cotter	T-H-PIN-336-1	1
13	Bushing	T-H-BSH-1225	1	26	Hex Head Bolt, 1/2-13 x 2 1/4"	T-H-BLT-302-67	1

Part No. T-H-BSH-150
 Bracket Bushing (one pair)
 (Various Brackets)

Part No. T-H-KIT-PIN-6000 6000 Series Pin and Bushing Kit		
Item No.	Description	Qty
5	Cotter Pin, 3/16" x 1	2
14	Bracket Retainer Pin	2
15	Bracket Pin	2
	Bracket Bushing (pr.)	1

Part No. T-H-KIT-ROD-1108
 Wedge Stop Rod Kit

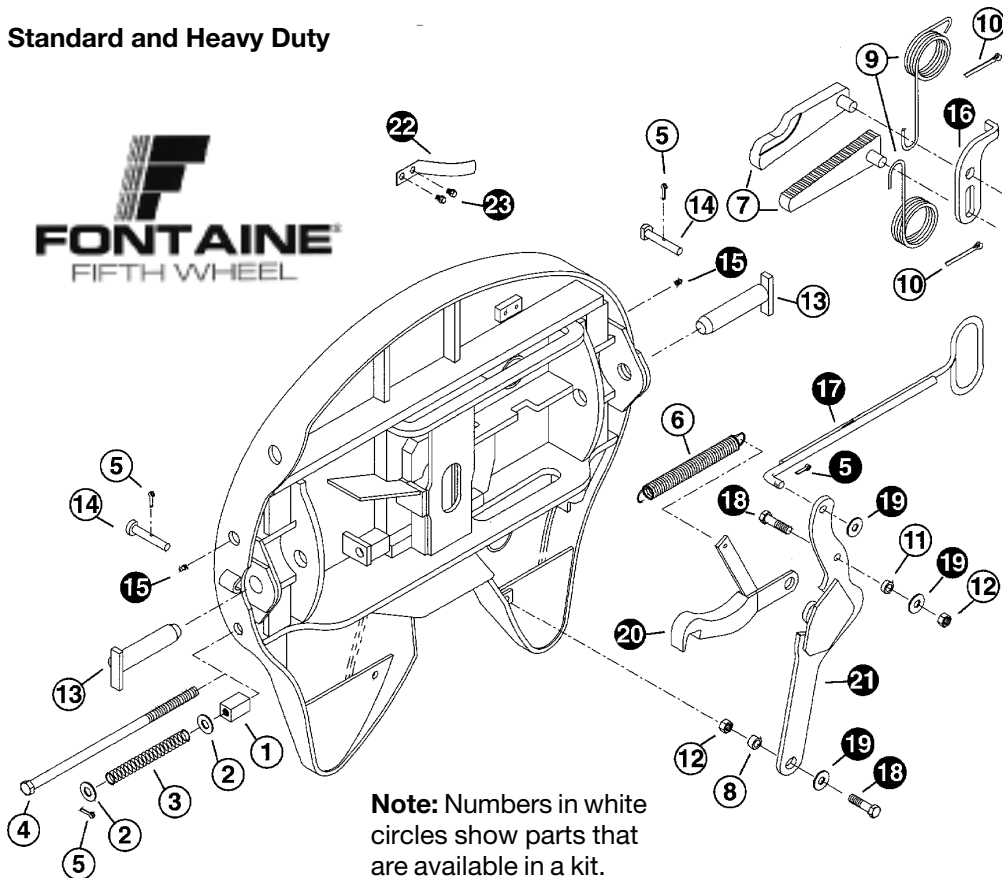
Item No.	Description	Qty.
1	Wedge Stop Rod Nut	1
2	Flat Washer, 5/8"	2
3	Wedge Stop Rod Spring	1
4	Wedge Stop Rod	1
5	Cotter Pin, 3/16" x 1"	1

Part No. T-H-KIT-BPR-6000L
 6000 Series Bumper Kit

Item No.	Description	Qty
22	Bumper	1
21	Bolt 1/2"-13	1
10	Bushing	1
9	Nut	1
6	Bumper Spring	1
17	Washer - Flat 1/2" ID	2

FONTAINE NO-SLACK® 5092 SERIES TOP PLATE

Standard and Heavy Duty



Note: Numbers in white circles show parts that are available in a kit.

This Style Head is no longer available. Replace with TPL-6000 Series

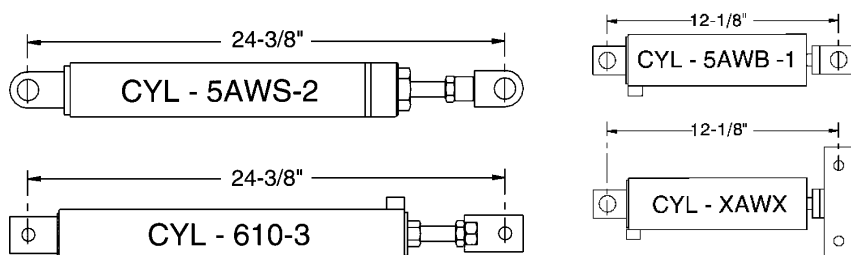
*Specify left side or right side release by adding an L or R after Part number

T-H-KIT-RPR-5092* No-Slack II Repair Kit		
Item No.	Description	Qty.
6	Bumper Spring	1
7	Handle Spring	1
8	Bushing, 7/16"	1
9	Hex Lock Nut, 1/2"-13	3
10	Cotter Pin	1
11	Bushing	1
12	Hex Lock Nut	1

Item No.	Description	Part No.	Qty.	Item No.	Description	Part No.	Qty.
1	Wedge Stop Rod Nut	T-H-NUT-319	1	13	Bracket Pin	T-H-PIN-135P	2
2	Flat Washer, 5/8"	T-H-WSH-304-5	2	14	Bracket Retainer Pin	T-H-PIN-124P	2
3	Wedge Stop Rod Spring	T-H-SPR-317	1	15	Grease Fitting	T-H-MSC-375	2
4	Wedge Stop Rod	T-H-ROD-1108	1	16	Timer	T-H-TMR-134*	1
5	Cotter Pin, 3/16" x 1	T-H-PIN-165	4	17	Pull Handle	T-H-PUL-5092	1
6	Bumper Spring	T-H-SPR-128	1	18	Hex Head Bolt, 1/2-13 x 2"	T-H-BLT-302-15	2
7	Step Jaw and Wedge Set	T-H-WED-200 -*	1	19	Flat Washer, 1/2" ID, 1 3/8" OD	T-H-WSH-304-4	3
8	Bushing, 7/16"	T-H-BSH-115	1	20	Bumper	T-H-BPR-5092*	1
9	Jaw and Wedge Spring Set	T-H-SPR-137-138	1	21	Operating Handle	T-H-OPR-5000-S*	1
10	Cotter Pin, 1/4" X 3"	T-H-PIN-95	2	22	Leaf Spring	T-H-SPR-569	1
11	Bushing, 5/16"	T-H-BSH-629	1	23	Self Tapping Screw, 1/4-20x3/8"	T-H-SCR-425	1
12	Hex Lock Nut, 1/2"-13	T-H-NUT-303-9	2				

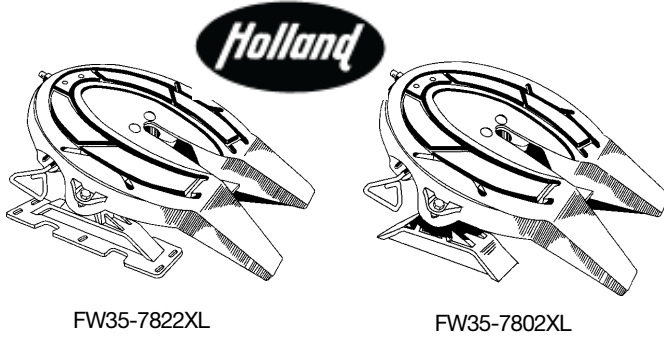
*Specify left side (L) for Driver's Side or right side (R) for passenger side by adding an L or R after Part number

FONTAINE AIR CYLINDER IDENTIFICATION



T-H-KIT-BPR-5092L 5092 Series Bumper Kit		
Item No.	Description	Qty
20	Bumper	1
18	Bolt	1
8	Bushing	1
12	Nut	1
6	Bumper Spring	1
19	Washer	2

FIFTH WHEEL ASSEMBLIES



FW35-7822XL

FW35-7802XL

Note: All wheels not stocked are available as a special order.

Fifth Wheel Top Plates Available From Stock:

FleetMaster FW8 Series Fifth Wheels
Assembly Part No. T-H-XA-201-A-L-P
 (Left Hand Release)

Top Plate Assemblies For
 3500 (XA-351) Series Fifth Wheels

Assembly Part No. T-H-XA-351-03505
 (Airlocks/Pocket Insert)

Rebuild Kit Part No. T-H-RK-351-03505

Assembly Part No. T-H-XA-351-A-L-P
 (Left Hand Release)

Assembly Part No. T-H-XA-351-A-P
 (Right Hand Release)

Assembly Part No. T-H-XA-3501-UB
 (With Air Jaws)

Rebuild Kit Part No. T-H-RK-63502

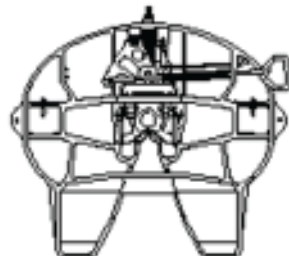
**FleetMaster Stationary Fifth Wheel Models
 With XA-201 Series Top Plate**
Capacity: 45,000 lbs. Maximum Vertical Load
150,000 Maximum Drawbar Pull

Model	Nominal FW Height	Approx. Weight	Replm't Bracket
Models With Mounting Base			
T-H-FW8-7801XL	8.69"	293	XA-7801
T-H-FW8-7802XL	7.69"	295	XA-7802
T-H-FW8-7803XL	6.69"	288	XA-7803
T-H-FW8-7804XL	5.59"	282	XA-7804
Models With Bracket for Angle Mounting			
T-H-FW8-7821XL	8.31"	260	XA-7821
T-H-FW8-7822XL	7.31"	262	XA-7822
T-H-FW8-7823XL	6.31"	256	XA-7823
T-H-FW8-7824XL	5.31"	249	XA-7824

**3500 Stationary Fifth Wheel Models
 With XA-351 Series Top Plate**
Capacity: 55,000 lbs. Maximum Vertical Load
150,000 Maximum Drawbar Pull

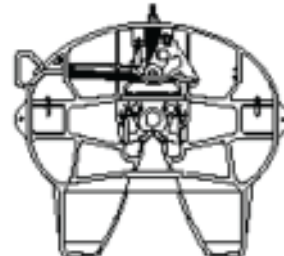
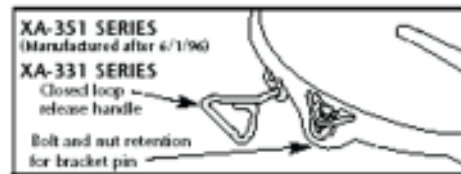
Model	Nominal FW Height	Approx. Weight	Replm't Bracket
Models With Mounting Base			
T-H-FW35-7801XL	8.69"	313	XA-7801
T-H-FW35-7802XL	7.69"	315	XA-7802
T-H-FW35-7803XL	6.69"	308	XA-3503
T-H-FW35-7804XL	5.59"	302	XA-7804
Models With Bracket for Angle Mounting			
T-H-FW35-7821XL	8.31"	280	XA-7821
T-H-FW35-7822XL	7.31"	282	XA-7822
T-H-FW35-7823XL	6.31"	276	XA-7823
T-H-FW35-7824XL	5.31"	269	XA-7824

XA-3501 SERIES / XA-351 SERIES IDENTIFICATION



REBUILD KIT NUMBERS FOR
LEFT HAND (ROAD SIDE) RELEASE

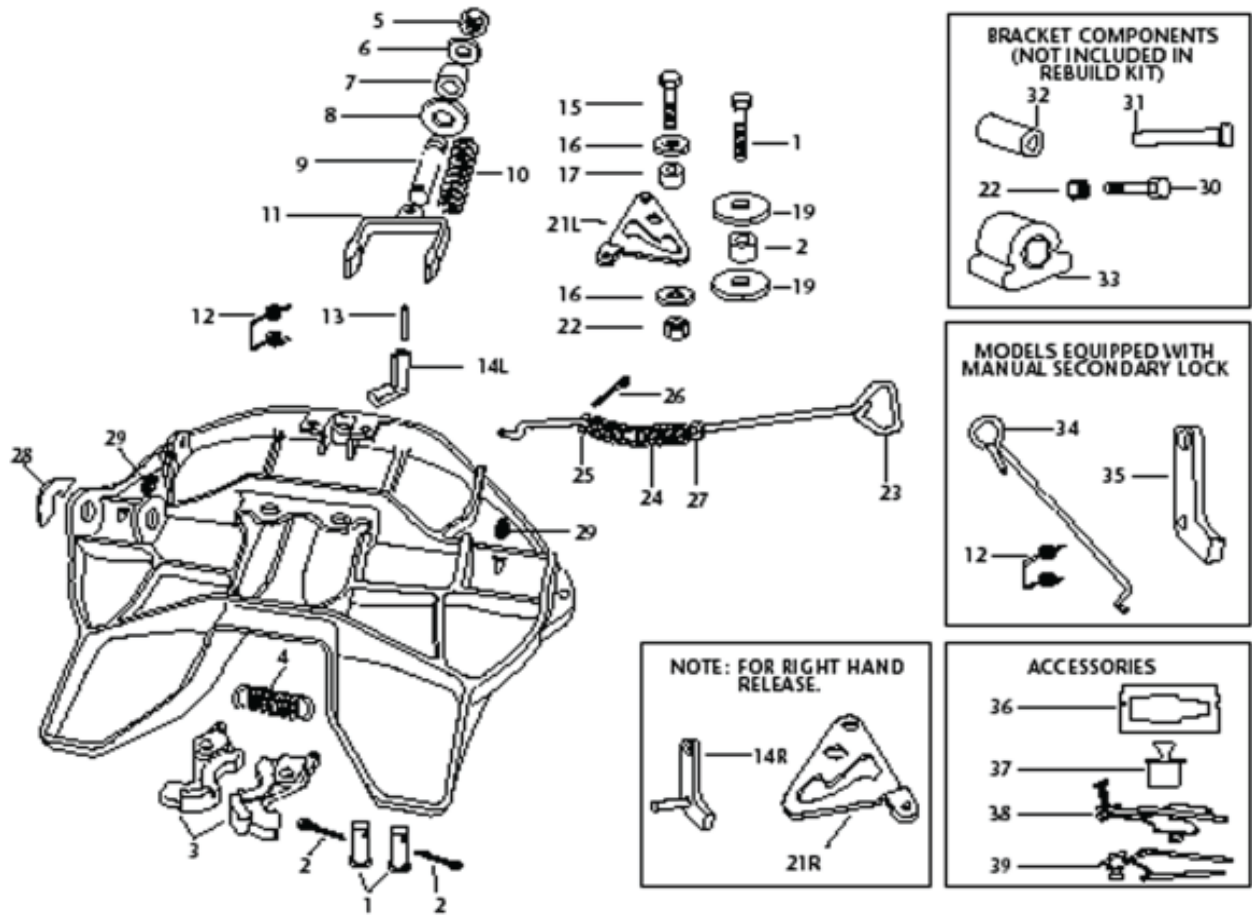
RK-351-A-L (w/Automatic Secondary Lock)
 RK-351-A-02-L (w/Manual Secondary Lock)



REBUILD KIT NUMBERS FOR
RIGHT HAND (CURB SIDE) RELEASE

RK-351-A (w/Automatic Secondary Lock)
 RK-351-A-02 (w/Manual Secondary Lock)

REBUILD KITS FOR HOLLAND XA-351 SERIES TOP PLATE ASSEMBLIES

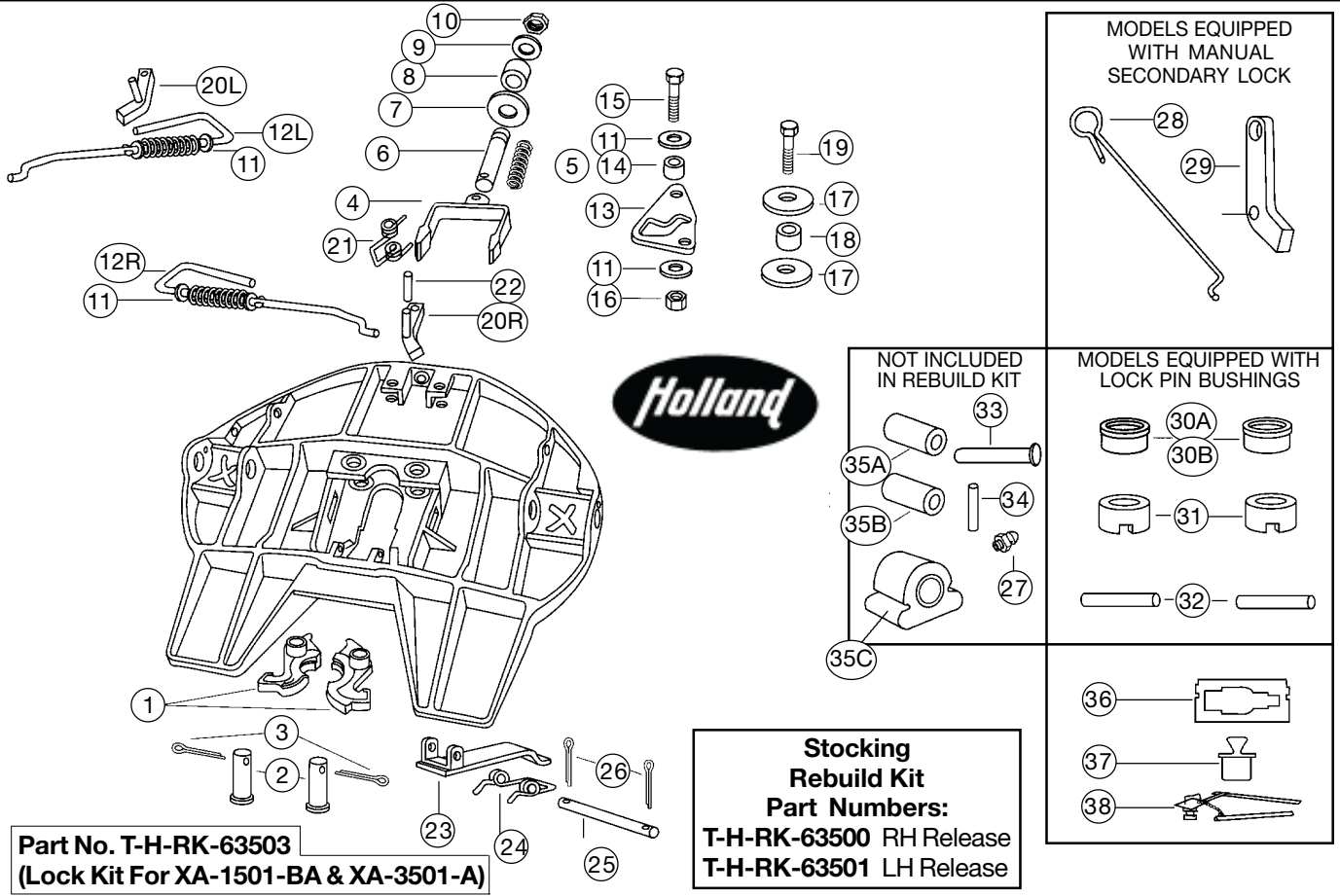


ITEM NO.	PART NO.	NO. REQ.	PART NAME	ITEM NO.	PART NO.	NO. REQ.	PART NAME
1	XA-07292-T	2	Lock fin	21L	XA-07150-L	1	Cam plate (left-hand)
2	XB-5	2	Cotter pin (1/4" x 2")	21R	XA-07150-R	1	Cam plate (right-hand)
3	XA-07296	1	Lock jaw set	22	XB-T-69-A	1	Locknut (1/2"-20) (2 add'l. req'd. for brackets)
4	XB-07628	1	Extension spring	23	XA-07151-1	1	Release handle (universal for both left and right)
5	XB-HNH-34-F	1	Locknut (3/4"-16)	24	XB-07291	1	Compression spring
6	XB-PW-1316-112	1	Washer (1-1/2" O.D. x 13/16" I.D.)	25	XB-PW-1732-1-116	1	Washer (1-1/16" O.D. x 5/8" I.D.)
7	XB-1127	1	Rubber washer	26	XB-07508	1	Cotter pin (1/8" x 1-1/4")
8	XB-02312	1	Lock adjustment tag	27	XB-T-49	1	Washer (1-3/8" O.D. x 9/16" I.D.)
9	XA-1706	1	Yoke shaft	28	XB-07610	1	Operation tag
10	XB-1505	1	Compression spring	*** 29	XB-H-38	2	Grease zerk
11	XA-07295	1	Yoke	* 30	XB-C-95	2	Hex head cap screw (1/2"-20 x 1-1/4")
12	XB-2149	1	Torsion spring	* 31	XE-06356	2	Bracket pin
13	XB-21-S-500-2750	1	Roll pin (1/2" x 2-3/4")	* 32	XB-1604-5	2	Rubber bushing (brackets mfg'd prior to 5/82)
14L	XA-3542-L	1	Secondary lock (left-hand)	* 33	XB-001 1-2	2	Rubber bushing (brackets mfg'd after 5/82)
14R	XA-3542-R	1	Secondary lock (right-hand)	** 34	XA-3542-M	1	Manual secondary lock release handle
15	XB-2083	1	Hex head cap screw (1/2"-20 x 1-3/4")	** 35	XA-3528	1	Manual secondary lock
16	XB-08559	2	Washer (1-3/4" O.D. x 9/16" I.D.)	* 36	TF-0110	1	Kingpin gage
17	XA-1029	1	Roller (1/2" I.D.)	* 37	TF-0237	1	2" Lock gage (plug)
18	XB-CX-58-F-134	1	Hex head cap screw (5/8"-18 x 1-3/4")	* 38	TF-TLN-5001	1	Kingpin lock tester (New)
19	XB-07431	2	Washer (2-5/8" x 21/32")	* 39	TF-TLN-1000	1	Kingpin lock tester (Old)
20	XA-1507	1	Roller (5/8" I.D.)				

* Parts not included in rebuild kit (available from your local Holland distributor.)
 ** Parts included in rebuild kits RK-351-A-L-02 and RK-351-A-02.
 *** Parts not present on XA-331 Series Low Lube Top Plates

Part No. T-H-RK-351-07296 Lock Kit
 Part No. T-H-RK-06973-1 Bracket Pin & Cushion

REBUILD KITS FOR HOLLAND XA-3501 TOP PLATE ASSEMBLIES



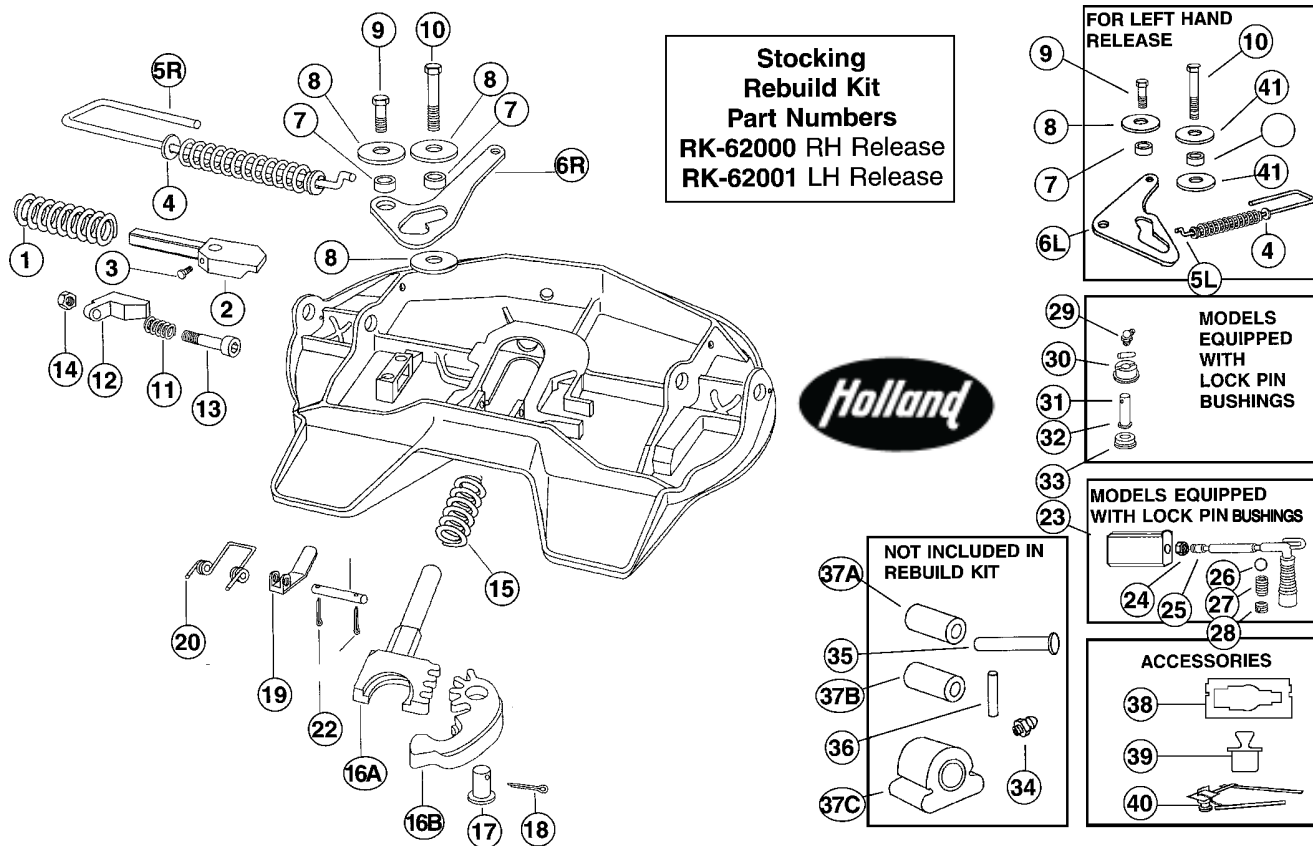
Part No. T-H-RK-63503
(Lock Kit For XA-1501-BA & XA-3501-A)

Stocking Rebuild Kit Part Numbers:
T-H-RK-63500 RH Release
T-H-RK-63501 LH Release

Item	Part No.	Qty. Req'd	Description	Item	Part No.	Qty. Req'd	Description
1	T-H-RK-63503	1	Lock Jaws	24	T-H-XB-1044	1	Torsion Spring
2	T-H-XA-1313	2	Lock Pin	25	T-H-XA-1055	1	Pin
3	T-H-XB-5	2	Cotter Pin 1/4" x 2"	26	T-H-XB-16	2	Cotter Pin 1/8" x 1"
4	T-H-XA-1703-F	1	Yoke Sub-Ass'y	27	T-H-XB-H-38	2	Grease Fitting
5	T-H-XB-1505	1	Spring	*28	T-H-XA-3542-M	1	Manual secondary lock handle
6	T-H-XA-1706	1	Yoke Shaft	*29	T-H-XA-3528	1	Manual Secondary Lock
7	T-H-XB-02312	1	Lock Adjustment Tag	**30	T-H-XA-01241	2	Lock Pin Bushing
8	T-H-XB-1127	1	Rubber Washer	**31	T-H-XA-01242	2	Lock Pin Bushing
9	T-H-XB-PW-1316-112	1	Washer 1 1/2 OD x 13/16" ID	**32	T-H-XB-21-S-250-1875	2	Roll Pin - MUST be used with part nos. (2) when wheel is equipped with lock pin bushings
10	T-H-XB-HNH-34-F	1	Locknut 3/4"-16	***33	T-H-XA-2016	2	Bracket Pin
11	T-H-XB-T-49	3	Washer 1 3/4" OD x 9/16" ID	***34	T-H-XB-21-S-375-1750	2	Roll Pin
12L	T-H-RK-1707-M	1	Left hand release handle sub-ass'y. (Part No. (11) must be installed on handle for complete assembly)	***35A	T-H-XB-1604-5	2	Rubber Bushing (For fifth wheels mfd. prior to 5/82)
12R	T-H-RK-1707-6	1	Right hand release handle sub-ass'y. (Part No. (11) must be installed on handle for complete assembly)	***35B	T-H-XB-0011-1	2	Rubber Bushing (No longer avail. - order XA-0011-2 and see service bull. no. 16 for instructions)
13	T-H-XA-1705-7	1	Cam Plate	***35C	T-H-XB-0011-2	2	Rubber Bushing (For fifth wheels mfd. after 6/87)
14	T-H-XA-1029	1	Roller	***36	T-H-TF-0110	1	Kingpin Gauge
15	T-H-XB-2083	1	Bolt 1/2"-10 x 1/4"	***37	T-H-TF-0237	1	2" Lock Gauge
16	T-H-XB-T-69-A	1	Locknut, 1/2"-20	***38	T-H-TF-TLN-5001	1	Kingpin Lock Tester
17	T-H-XB-1030-1	2	Washer				
18	T-H-XA-1507	1	Roller				
19	T-H-XB-CX-58-F-134	1	Bolt 5/8"-18 x 1/4"				
20L	T-H-XA-3542-L	1	Secondary Lock, LH				
20R	T-H-XA-3542-R	1	Secondary Lock, RH				
21	T-H-XB-2149	1	Torsion Spring				
22	T-H-XB-21-S-500-2750	1	Roll Pin				
23	T-H-RK-05329	1	Lock Guard				

* Additional parts included in T-H-RK-63505, T-H-RK-63506, T-H-RK-63510, or T-H-RK-63511 rebuild kits.
 ** Additional parts included in T-H-RK-63508, T-H-RK-63509, T-H-RK-63510, or T-H-RK-63511 rebuild kits.
 *** Not included in rebuild kits.

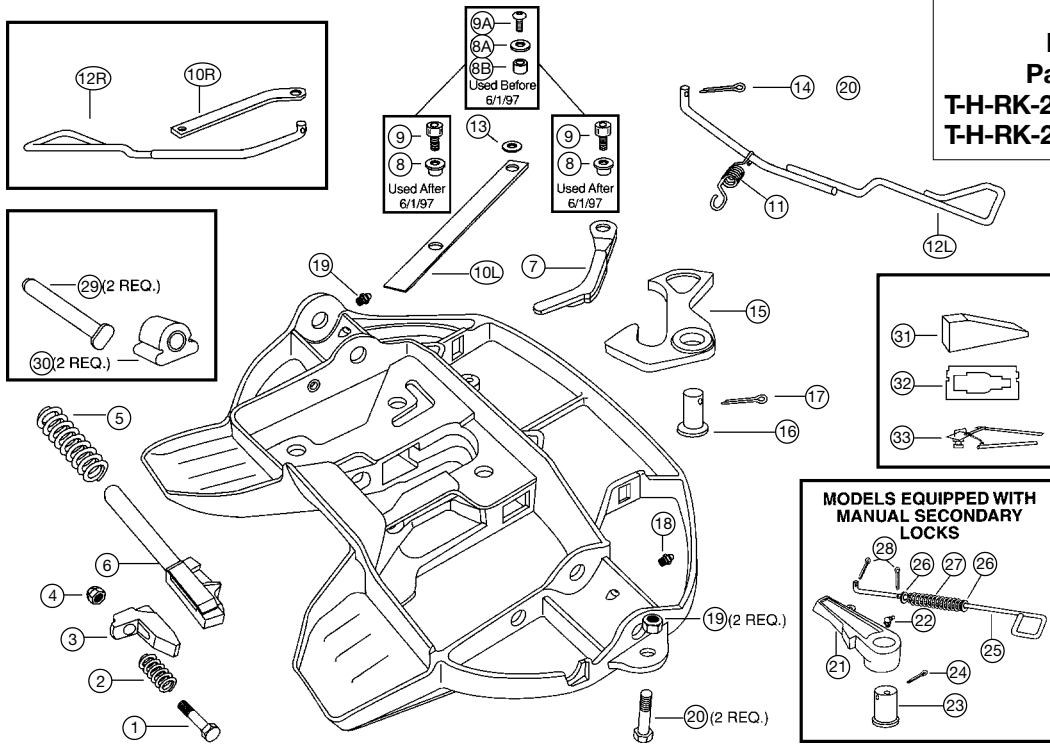
REBUILD KITS FOR HOLLAND XA-2009 TOP PLATE ASSEMBLIES



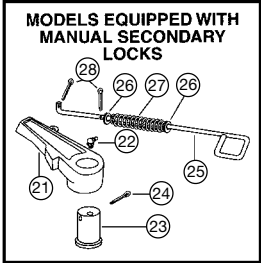
Item	Part No.	Qty. Req'd	Description	Qty. Item	Part No.	Req'd	Description
1	T-H-XB-1007	1	Comp Spring, 1-5/8"OD x 5	*25	T-H-XA-1674	1	Safety Release Arm
2	T-H-XA-1119	1	Plunger	*26	T-H-XB-B-919	1	1/2" Dia. Steel Ball
3	T-H-XB-15	1	Set Screw	*27	T-H-XB-V-932	1	Compression Spring
4	T-H-XB-T-49	1	Plain Washer 1/2"	*28	T-H-XB-V-1025	1	Set Screw 5/8"-18
5L	T-H-RK-1117-1L	1	Left Hand Release Handle (Item No. (4) must be installed on handle for complete assembly)	**29	T-H-XB-767-C	1	Grease Fitting
5R	T-H-RK-1117-1	1	Right Hand Release Handle (Item No. (4) must be installed on handle for complete assembly)	**30	T-H-XB-21-S-250-1875	1	Roll Pin
6L	T-H-XA-1118-2-L	1	Left Hand Cam Plate	**31	T-H-XA-279	1	Lock Pin Bushing
6R	T-H-XA-118-1	1	Right Hand Cam Plate	**32	T-H-XA-1016-C	1	Hinged Lock Pin
7	T-H-XA-1029	2	Roller	**33	T-H-XA-278	1	Lock Pin Bushing
8	T-H-XB-1030	3	(For RH) Washer-1/2IDx2-1/4" OD	*34	T-H-XB-H-38	2	Grease Fitting
9	T-H-XB-2083	1	Hex hd screw 1/2"-20 x 1-3/4" with locking patch	*35	T-H-XA-2016	2	Bracket Pin
10	T-H-XB-1031	1	1/2"-20 x 2" hex hd. cap screw	*36	T-H-XB-21-S-375-1750	2	Roll Pin
11	T-H-XB-403	1	Spring	*37A	T-H-XB-1604-5	2	Rubber Bushing (for fifth wheels mfd. prior to 5/28)
12	T-H-XD-3123-1	1	Lock Adjusting Wedge	*37B	T-H-XB-0011-1	2	Rubber Bushing (no longer) available-order RK-03809 bushing & riser kit or refer to service bull. no. 16 for instructions
13	T-H-XB-2001	1	5/8"-11 x 3-3/4" Soc. hd. screw	*37C	T-H-XB-0011-2	2	Rubber Bushing (for fifth wheels mfd. after 6/87)
14	T-H-XB-HNH-58-C	1	5/8"-11 Locknut	38	T-H-TF-0110	1	Kingpin Gage
15	T-H-XB-1006 (Green)	1	Comp. Spring 1-1/4" OD x 5"	39	T-H-TF-0237	1	2" Lock Gage
16A	T-H-XA-1102	1	Lock Set	40	T-H-TF-TLN-5001	1	Kingpin Lock Tester
16B				41	XB-02846	2	Washer Lock Tester Washer (LH only) 1/2" ID x 2-5/8" OD
17	T-H-XA-1016	1	Hinged Lock Pin				
18	T-H-XB-5	1	Cotter Pin 1/4" x 2"				
19	T-H-XA-1621	1	Lock Guard				
20	T-H-XB-1044	1	Torsion Spring				
21	T-H-XA-1055	1	Pin				
22	T-H-XB-16	2	Cotter Pin 1/8" x 1"				
*23	T-H-XA-1668	1	Safety Lock Block				
*24	T-H-XB-NRJ-34-F	1	Jam Nut				

* Additional parts included in T-H-RK-63505, T-H-RK-63506, T-H-RK-63510, or T-H-RK63511
 ** Additional parts included in T-H-RK-63508, T-H-RK-63509, T-H-RK-63510, or T-H-RK-63511 rebuild kits.

REBUILD KITS FOR HOLLAND XA-201-A-L TOP PLATE ASSEMBLIES



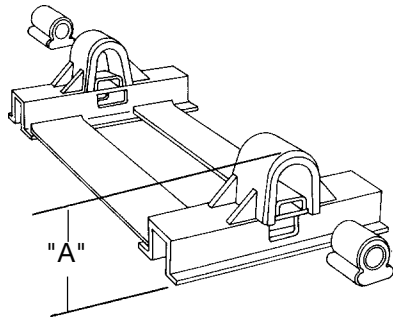
Stocking Rebuild Kit
Part Numbers:
T-H-RK-201-A2 RH Release
T-H-RK-201-A2L LH Release



Item	Part No.	Qty. Req'd	Description	Item	Part No.	Qty. Req'd	Description
1	T-H-XB-06329	1	5/8"-20 x 4.25" hex hd. Bolt	16	T-H-XA-06344	1	Lock Pin
2	T-H-XB-403	1	Spring	17	T-H-XB-5	1	Cotter Pin .25" x 2"
3	T-H-XD-06328	1	Adjusting Wedge	18	T-H-XB-H-38	2	Grease Fitting
4	T-H-XB-06179-1	1	Locknut 5/8"-11	19	T-H-XB-T-69-A	2	Lock Nut, 1/2"-20
5	T-H-RK-06330	1	Plunger Spring	20	T-H-XB-C-95	2	1/2"-20 x 1.25" hex hd. cap
6	T-H-XA-08081	1	Locking Plunger	*21	T-H-XA-06349	1	Manual secondary Lock arm
7	T-H-XE-08113	1	Cam Arm	*22	T-H-XB-767-C	1	45 Deg. Grease Fitting
8	T-H-XA-08162	2	Roller	*23	T-H-XA-1016-C	1	Secondary Lock Pin
8A	T-H-XB-T-49	2	1/2" Washer	*24	T-H-XB-5	1	Cotter Pin .25" x 2"
8B	T-H-XA-06332	2	Roller	*25	T-H-XA-06345	1	Secondary Lock
9	T-H-XB-8558	2	SHCS 1/2"-13 x .75"	*26	T-H-XB-1204	2	7/16" Washer
9A	T-H-XB-06331	2	TORX® SBHCS 1/2"-13 X 1.25"	*27	T-H-XB-1028-1	1	Spring
10R	T-H-XA-06334	1	Right Hand Release Arm	*28	T-H-XB-16	2	Cotter Pin 1/8"-1"
10L	T-H-XA-07388	1	Left hand Release Arm	*29	T-H-XE-06356	2	Bracket Pin
11	T-H-XB-06335-1	1	Extension Spring	*30	T-H-XB-0011-2	2	Rubber Bushing
12R	T-H-XA-08548	1	Right Hand Release Handle	*31	T-H-TF-TLN-08284	1	Helper Block
12L	T-H-XA-08546	1	Left Hand Release Handle	*32	T-H-TF-0110	1	Kingpin Gage
13	T-H-XB-T-199	1	5/8" Washer	*33	T-H-TF-TLN-1000	1	2" Lock Tester
14	T-H-XB-06336	1	Cotter Pin, .19" x 1.25"	*34	T-H-TF-TLN-5000	1	2" Lock Adjustment Tool
15	T-H-XA-08114	1	Hinged Lock				

FW2500 AND FW2535 SERIES SLIDE BRACKET PARTS - AFTER MAY 1, 1982

Bracket Assemblies - Air and Manual Release



	Part No.	
"A"	Air	Manual
8.62"	T-H-XA-7001	T-H-XA-7011
7.62"	T-H-XA-7002	T-H-XA-7012
8.12"	T-H-XA-7301	T-H-XA-7311
6.62"	T-H-XA-7003	T-H-XA-7013

"A" = Fifth Wheel Height

Brackets Only
Part No. T-H-XA-7501
 Bracket w/ mounting base 8.88"
Part No. T-H-XA-7824
 Bracket for angle mounting 5.31"

Fifth Wheel Slide Plate for FW8 or FW2535 w/o Mounting Angles
Part No. T-H-XA-0751-3A

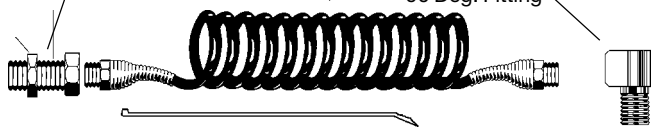
MISCELLANEOUS FIFTH WHEEL PARTS

Bulkhead Fitting With Female
.25" NPT Connectors
XB-01959

XB-01960

XB-01996

90 Deg. Fitting

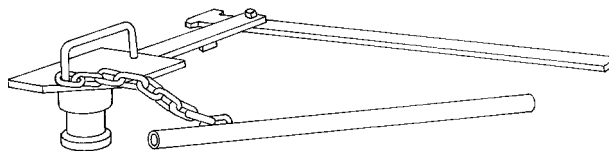


XB-01961 Nylon Tie

Sliding Fifth Wheel Air Line Kit

Ten foot coiled .25" OD nylon tube with wire guards and .25" NPT swivel fittings

Part No. T-H-RK-2500-10

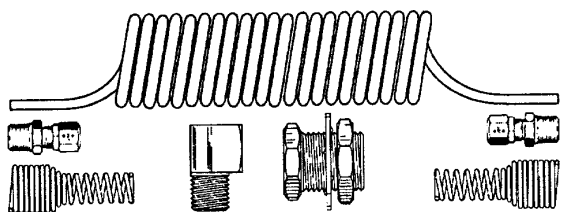


Kingpin Lock Tester Tool

The HOLLAND kingpin lock testers are designed for checking fifth wheel locking action and lock adjustment in the shop or on the lot.

2" Tool:

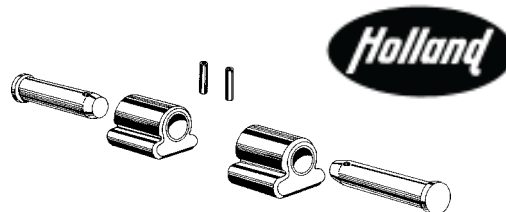
Part No. T-H-TF-TLN-5001



Coiled Air Line Kit for Fifth Wheels

Coiled nylon tubing with wire guards and fittings

Part No. T-H-1010067

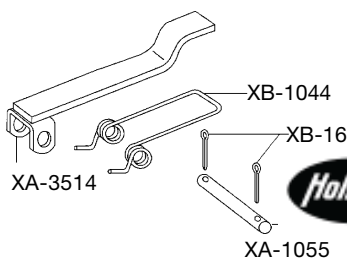


Cushion and Pin Rebuild Kit

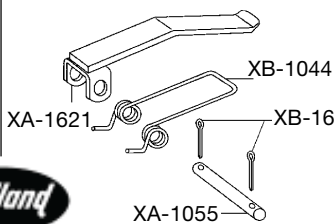
This kit is also included in rebuild kits RK-63500-1, RK63501-1, RK62001 and RK62001-1.

Consists of: 2XA-2016 Pins
2 XB-0011-2 Bushings
2 XB-21-S-375-1750 Roll Pins

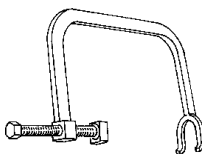
Part No. T-H-RK-04413



Lock Guard Kit For
XA-3501 Series Top Plates
Kit No. T-H-RK-05329



Lock Guard Kit For
XA-2009 Series Top Plates
Kit No. T-H-RK-05328



Spring Compressor

Designed for springs and pins on Holland sliding fifth wheels

Part No. T-H-TF-TLN-2500



King Pin Gauge

Use to check condition of kingpin; indicates if pin should be replaced.

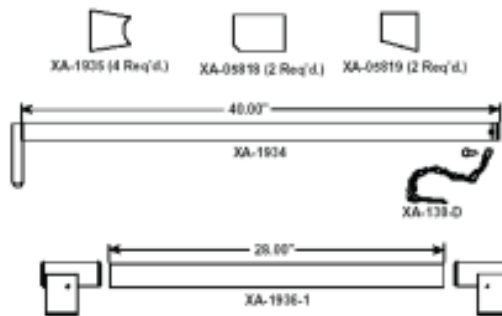
Part No. T-H-TF-0110

HOLLAND NO TILT REBUILD KIT

Fifth Wheel Rebuilt Kit
for 7.88" Fifth Wheel Height
on No-Tilt Application

Kit Includes: **T-H-XA-1935, T-H-XA-05818, T-H-XA-05819, T-H-XA-1934, T-H-XA-130TD, XA-1936-1, T-H-XA-04572**

Part No. T-H-RK-06122

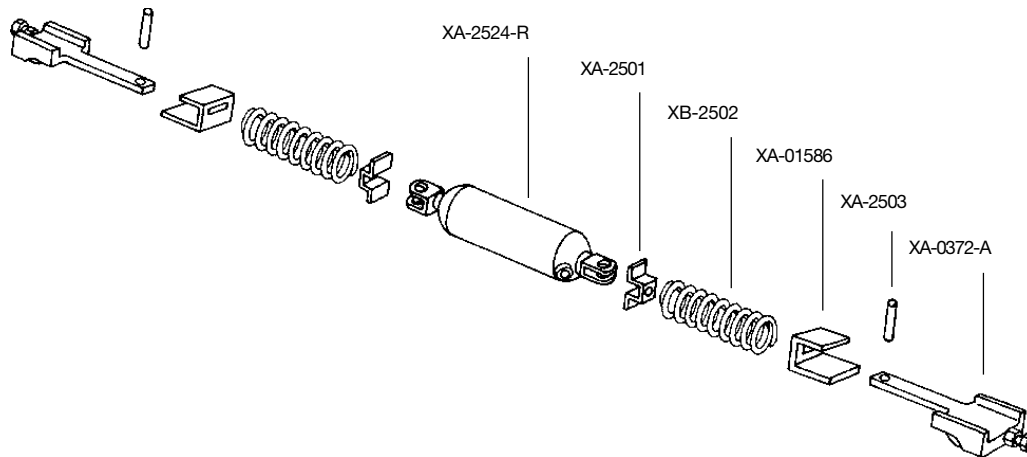


HOLLAND STAINLESS STEEL FIFTH WHEEL AIR CYLINDERS

Part No.	Hole to Hole Dim.		Stroke	Inlet	Used On
	Extended	Air Retracted			
T-H-XA-2524-R-12	37.47	22.59	14.88	Both Ends	TF-675
T-H-2524-R	19.40	12.63	6.77	Blind End	Sliding Fifth Wheels
T-H-2524-R-4	13.96	10.35	3.61	Blind End	FW1560 Series
T-H-2524-R-13-X	11.47	9.48	1.99	Blind End	FW2800 Series FW2900 Series
T-H-2524-R-13-1	9.47	7.48	1.99	Blind End	FW1500 Series FW3500 Series

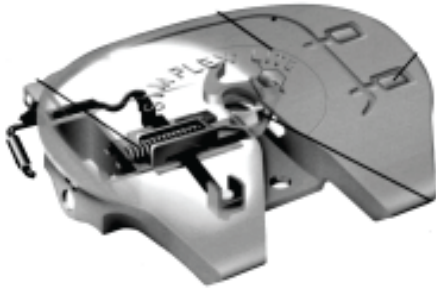
AIR CYLINDER SPECIFICATIONS FOR AIR SLIDER BRACKETS

Air Release - 8.62" and 7.62" Fifth Wheel Heights

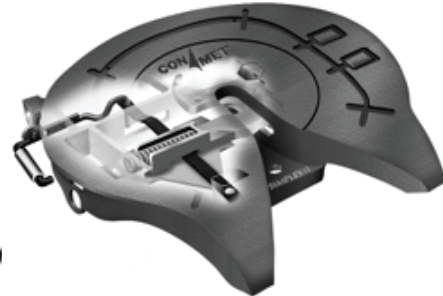


CONMET-SIMPLEX FIFTH WHEEL PARTS

SIMPLEX SERIES® TOP PLATES



Part No. T-H-10402700
Conmet Simplex Lite Top Plates



Part No. T-H-4102700
Conmet Simplex II Top Plates

Conmet Simplex Lite Top Plates

Specifications:

Vertical Load Capacity	55,000 lbs.
Trailing Load	150,000 lbs.
Top Plate Weight	220 lbs.

Operation:

Slack Adjustment	Up to 11/32" before jaw replacement.
Operating Rod	Minimal effort, straight pull design. Air-Operated Release Available with TouchLoc air-operated release system.
Safety Latch	Provides the driver with a clear visual indication that the wheel is properly coupled.
Service Life	Exceeds life of tractor.

Maintenance:

Service Required	No lubrication required at pivot connection. Routine: grease and visually check top plate, adjust slack as required.
Jaw Replacement	Fifteen minutes to rebuild, while the top plate remains on tractor.
Handle Replacement	Five minutes to replace, while fifth wheel remains on tractor.
Disassembly	Pull one clinch pin to remove and replace eccentric adjustment pin and jaw.
Warranty	5-years or 500,000 miles

Conmet Simplex II Top Plates

Specifications:

Vertical load capacity	70,000 lbs.
Trailing load	200,000 lbs.
Top plate weight	260 lbs.

Operation:

Slack adjustment	Up to 11/32" before jaw replacement.
Operating rod	Minimal effort, straight pull design. Air-operated release. Available with touchloc air-operated release system. Available in right-hand and left-hand models.
Safety latch	Visual indication of a positive coupling, also serves as a secondary lock.
Service life	Exceeds life of tractor. Maintenance

Maintenance:

Service required	No lubrication required at pivot connection. Routine: grease and visually check top plate, adjust slack as required.
Jaw replacement	Fifteen minutes to replace; fifth wheel remains on tractor.
Disassembly	Pull one clinch pin to remove slack adjustment pin and jaw. Handle replacement Five minutes to replace; fifth wheel remains on tractor.

CONMET-SIMPLEX REPAIR KITS

SIMPLEX® OLD STYLE REPAIR KIT BEFORE 1988

Part No. T-H-4000135

Part No.	Description
T-H-4000583	2 Rubber, Bracket
T-H-4109916	1 Eccentric Jaw Pin
T-H-4109930	1 Jaw, LH
T-H-84787	2 Grease Fittings
T-H-4000585	2 Clinch Pins 3/8" x 1-1/2"
T-H-9900170	1 Clinch Pin 3/16" x 1-1/4"

SIMPLEX® & SIMPLEX® II BRACKET CONNECTION REBUILD KIT

Part No. T-H-4000504

Part No.	Description
T-H-4100328	Bracket Shoes
T-H-4000582	Bracket Pads
T-H-4000584	Bracket Pins
T-H-4000585	Clinch Pins 3/8" x 1-1/2"

SIMPLEX® & SIMPLEX® II LH JAW KIT Part No. T-H-4000501

Part No.	Description
T-H-4109935	Jaw
T-H-4109916	Standard Eccentric Pin
T-H-9900170	1 Clinch Pin 3/16" x 1-1/4"

SIMPLEX® II OPERATING ROD KIT Part No. T-H-4000509

Part No.	Description
T-H-4100342	Operating Rod
T-H-4101250	Safety Indicator
T-H-5400711	Safety Indicator Pin
T-H-9900181	Slotted Spring Pin
T-H-84261	Cotter Pin

SIMPLEX® & SIMPLEX® II RH JAW KIT Part No. T-H-4000503

Part No.	Description
T-H-4109920	Jaw
T-H-4109916	Standard Eccentric Pin
T-H-9900170	1 Clinch Pin 3/16" x 1-1/4"

SIMPLEX® IIR OPERATING ROD KIT Part No. T-H-4000510

Part No.	Description
T-H-4100357	Operating Rod - 2pc.
T-H-4100150	Safety Indicator
T-H-4100180	Weld Stud
T-H-9900113	Flange Nut

SIMPLEX® II LOCK KIT Part No. T-H-4000572

Part No.	Description
T-H-4100767	Cover Plate
T-H-4109931	Lock
T-H-1200706	Lock Spring
T-H-842611	Cotter Pin
T-H-5400766	Lever Bar Pin
T-H-4100712	Lever Bar

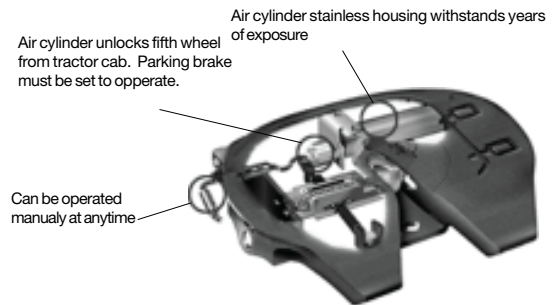
SIMPLEX® & SIMPLEX® II BRACKET PAD KIT Part No. T-H-4000528

Part No.	Description
T-H-4000582	Bracket Pad

SIMPLEX TOUCHLOC® AIR OPERATED FIFTH WHEEL UNLOCKING SYSTEM

Part No.	Description
T-H-4000273	Simplex Lite TouchLoc® Mechanism
T-H-4100213	Simplex II TouchLoc® Air Cylinder

- One easy motion unlocks trailer directly
- Operable only when parking brake is engaged
- Manual release back-up system
- Available for retrofit
- Three year warranty



Part No.	Description
T-H-4300145	TaperLoc Air Cylinder

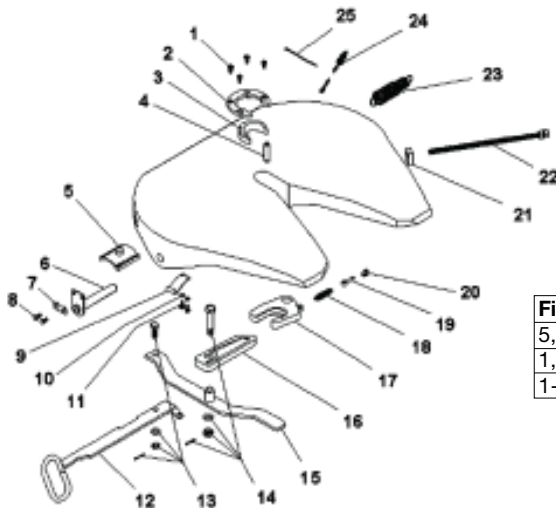
Part No. T-H-4101250
Simplex II Safety Latch



Part No. T-H-4000218
Simplex II Start Pull
Operating Rod



JUST FIFTH WHEEL



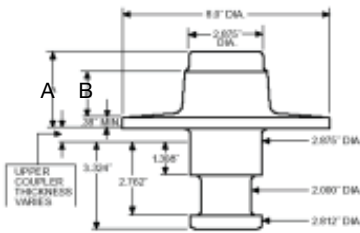
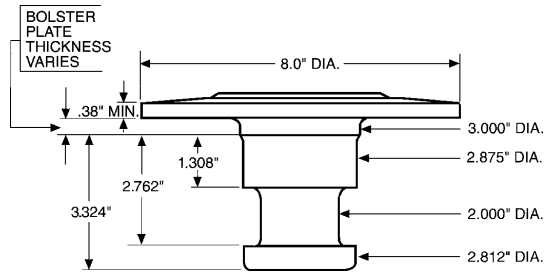
JUST
JSK 37H

Fig.	Repair Kits	Part No.
5, 6, 7, 8	Bracket pin repair kit	T-H-SK 73121-55
1, 2, 3, 4, 17, 18, 19, 20	Locking device repair kit	T-H-SK 3105-93
1-25	Repair kit (all parts)	T-H-SK 3105-92

Fig.	Description	Part No.	Fig.	Description	Part No.
1	Cushion ring bolt	T-H-SK 73121-55	14	Locking bar bolt, compl.	T-H-SK 3221-01
2	Cushion ring fixture	T-H-SK 3105-93	15	Lever	T-H-SK 3105-140
3	Cushion ring insert	T-H-SK 3105-92	16	Locking bar	T-H-SK 3205-06
4	Pivot pin for lock jaw	T-H-SK 72106-67	17	Lock jaw	T-H-SK 1489 LZ
5	Collar	T-H-SK73105-95	18	Lock jaw tension spring	T-H-SK 847
6	Bracket pin	T-H-SK 73104-05	19	Eye bolt	T-H-SK 2106-69
7	Tab washer	T-H-SK 3104-46	20	Ring	T-H-SK 2106-70
8	Hex bolt	T-H-SK 73121-28B	21	Guide piece	T-H-SK 3205-07
9	Release handel spring	T-H-SK 70993-00	22	Adjusting bolt w/ hex nut	T-H-SK 3105-151
10	External tooth lock washer	T-H-SK 70301-00	23	Double tension spring	T-H-SK 3105-20
11	Hex bolt	T-H-SK 73121-28B	24	Lubrication tubing, compl.	T-H-SK 3108-02
12	Release handle	T-H-SK 73105-15	25	Tubing clamp	T-H-SK 3121-13
13	Hex head bolt, compl.	T-H-SK 1513			

TRAILER KINGPINS

Part No.	Bolster Plate Thickness
T-H-1135920	.25"
T-H-1135921	.38"
T-H-1135922	.50"
T-H-KP-T-809-CF	.25"
T-H-KP-T-809-F	.38"

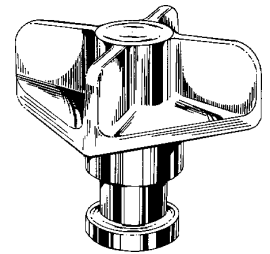


DOUBLE SPOOL KINGPIN

Part No.	Bolster Plate Thickness
T-H-KP-T-880-1	.38"

2" SAE KINGPIN
 A Dimension= 2.00"
 B Dimension= 1.50"

"Maltese Cross" Kingpin
 For 1/4" and 5/16"
 Bolster Plate
 2" Kingpin With Housing
Part No. T-H-1135924



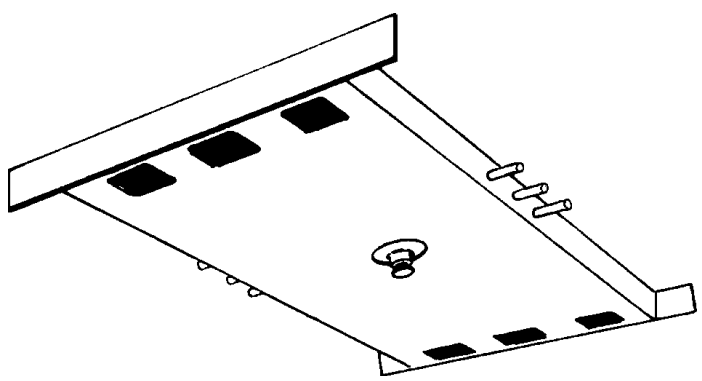
Bolt On Replaceable 2" Style Kingpins

Part No. T-H-KP-0882
 2" Diameter, 302-363 Brinell Hardness,
 38" Upper Coupler, 1.44" Counter Bore



Replacement Aft Trailer King Pin Sections

Complete With Weld-On Kingpin Installed
 Welding procedures and materials used comply
 with accepted OEM standards
 For 96" Wide trailer 95 1/4" Wide
 30 1/2" Fore & Aft Length
Part No. T-H-1147900
 Conduit locations centered at 47 5/8" and 2 1/4" on both sides.
 For 102" Wide Trailer 101 1/4" Wide
 30 1/2" For & Aft Length
Part No. T-H-1147904
 Conduit locations centered at 50 5/8" and 2 1/4" on both sides.



**For Use on Dry Van Trailers Only

High Density Polyethylene Disc

Eliminates the problem of a dry fifth wheel plate. Installs on trailer plate around kingpin using steel retainer ring.

Complete Assembly
Part No. T-H-1010501
 Retainer Ring Only
Part No. T-H-1010500

