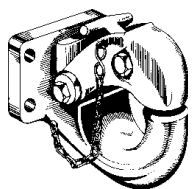
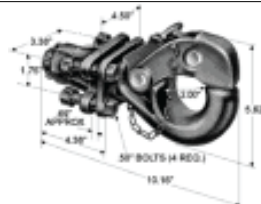
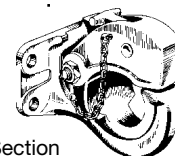


PINTLE HOOKS



Rigid Type Pintle Hook
Part No. T-HPH-T-60-AOL-8
Capacity Pintle Hook:
 Maximum Vertical Load: 6,000 lbs.
 Max Gross Trailer Weight: 30,000 lbs.
Drawbar Eye Dimensions:
 2.00" to 3.00" I.D.
 with 1.25" to 1.62" Diameter Section

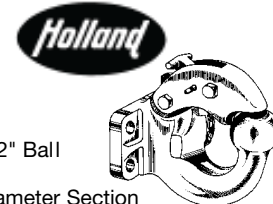
Rigid Type Pintle Hook
Part No. T-HPH-T-60-AL
 Maximum Vertical Load: 2,000 lbs.
 Max Gross Trailer Weight: 10,000 lbs.
Drawbar Eye Dimensions:
 2.00" to 3.00" I.D. with 1.25" to 1.62" Diameter Section



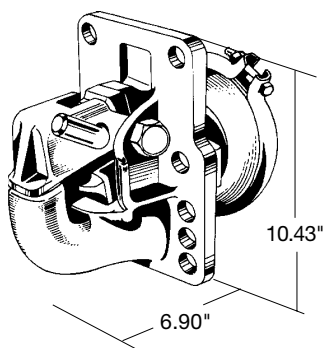
Part No. T-HPH-T-60-AOS-L-8
Capacity Pintle Hook:
 Maximum Vertical Load: 3,600 lbs.
 Max Gross Trailer Weight: 18,000 lbs.
Drawbar Eye Dimensions:
 2.00" to 3.00" I.D.
 with 1.25" to 1.62" Diameter Section

Rigid Type Pintle Hook and 2" Ball Hitch
Part No. T-HPH-16-B

Capacity Pintle Hook:
 Maximum Vertical Load: 3,800 lbs.
 Max. Gross Trailer Weight: 19,000 lbs.
Capacity 2" Ball Hitch
 Max Gross Trailer Weight: 10,000 lbs.
 Meets SAE J684 Class 4 Standards in a 2" Ball
Drawbar Eye Dimensions:
 2.38" to 3.00" I.D. with 1.25" to 1.62" Diameter Section



Rigid Type Pintle Hook With Air Operated Plunger
Part No. T-HPH-400
Part No. T-HPH-400-1

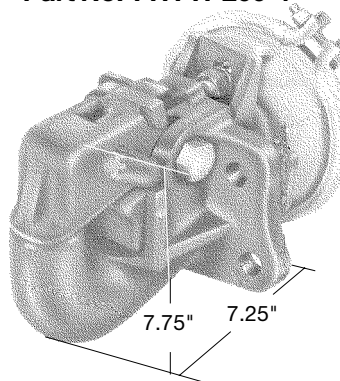


Capacity Pintle Hook:
 Maximum Vertical Load:
 18,000 lbs.
 Max Gross Trailer Weight:
 90,000 lbs.

Drawbar Eye Dimensions:
 2.38" to 3.00" I.D.
 with 1.25" to 1/69"
 Diameter Section

T-HPH-400-1:
 Same as above less
 plunger, air cylinder XB-165945
 and brackets.

Rigid Type Pintle Hook With Air Operated Plunger
Part No. T-HPH-200
Part No. T-HPH-200-1

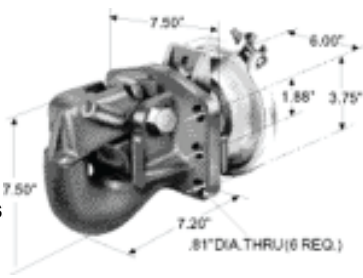


Capacity Pintle Hook:
 Maximum Vertical Load:
 18,000 lbs.
 Max Gross Trailer Weight:
 90,000 lbs.

Drawbar Eye Dimensions:
 2.38" to 3.00" I.D.
 with 1.25" to 1/69"
 Diameter Section

T-HPH-200-1:
 Same as above less
 plunger, air cylinder XB-165945
 and brackets.
Part No. TH-XA-02608
 Cylinder & Bracket Assem.

Part No. T-HPH-300
 18,000 lbs. Maximum
 Vertical Load
 72,000 lbs. Maximum
 Gross Trailer Weight.
 (90,000 lbs. Tensile)

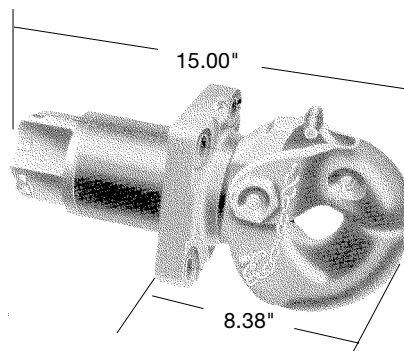


Drawbar Eye Dimensions
 2.38" to 3" I.D. with 1.25"
 to 1.69" diameter
 section. Rigid type pintle
 hook with air operated
 plunger. Weight 42 lbs.

PH-300-1:
 Same as above less plunger,
 air cylinder XB-165945 and brackets.

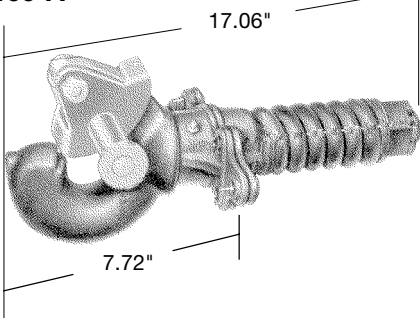
Swivel Type Pintle Hook - Part No. T-HPH-775-01552

Capacity:
 Maximum Vertical
 Load: 20,000 lbs.
 Max Gross Trailer
 Weight: 100,000 lbs.
Drawbar Eye
Dimensions:
 3.00" I.D. with
 1.62" Diameter Section



Swivel Type Pintle Hook With Spring Cushion
Part No. T-HPH-T-100-A

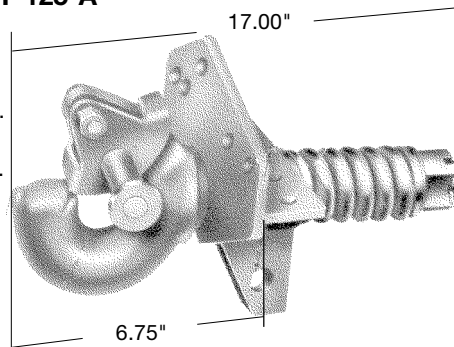
Capacity:
 Maximum Vertical
 Load: 4,000 lbs.
 Max Gross Trailer
 Weight: 20,000 lbs.
Drawbar Eye
Dimensions:
 2.38" to 3.00" I.D.
 with 1.25" to 1.62"
 Diameter Section



Part No. XA-T-93-A1 Latch Sub Assembly for PH-T-100-A

Swivel Type Pintle Hook With Spring Cushion
Part No. T-HPH-T-125-A

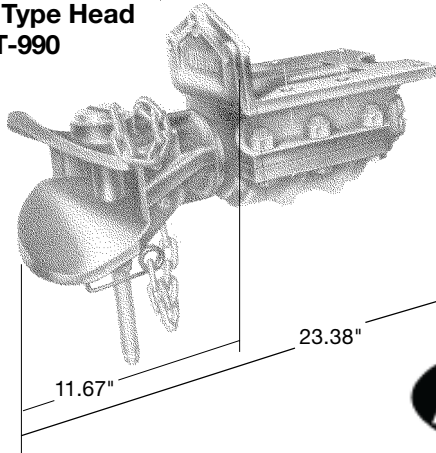
Capacity:
 Maximum Vertical
 Load: 6,000 lbs.
 Max Gross Trailer
 Weight: 30,000 lbs.
Drawbar Eye
Dimensions:
 2.38" to 3.00" I.D.
 with 1.25" to 1.62"
 Diameter Section



PINTLE HOOKS, DRAWBARS

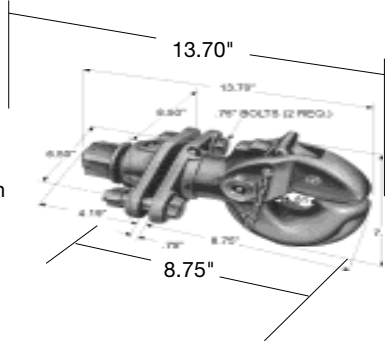
**Swivel Type Pintle Hook With Rubber Cushion and "Fish Mouth" Type Head
Part No. T-H-PH-T-990**

Capacity:
Maximum Vertical Load: 3,000 lbs.
Max Gross Trailer Weight: 100,000 lbs.
Drawbar Eye Dimensions:
3.00" I.D. 1.62" Diameter Section



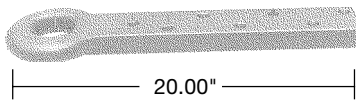
Swivel Type Pintle Hook - Part No. T-H-PH-760

Capacity:
Maximum Vertical Load: 9,800 lbs.
Max Gross Trailer Weight: 49,000 lbs.
Drawbar Eye Dimensions:
3.00" I.D. with 1.62" Diameter Section



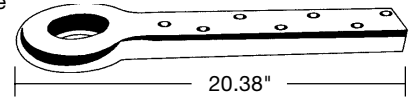
**Bolt-On Drawbar With 2.5" I. D. Eye With 1.25" x 1.5" Diameter Section
Part No. T-H-DB-1228-1**

Capacity:
Maximum Vertical (Tongue) Load: 4,000 lbs.
Max Gross Trailer Weight: 20,000 lbs.
NOTE: When used hinged tongue trailer applications where maximum vertical load cannot exceed 500 lbs., the maximum gross trailer weight is 60,000 lbs.



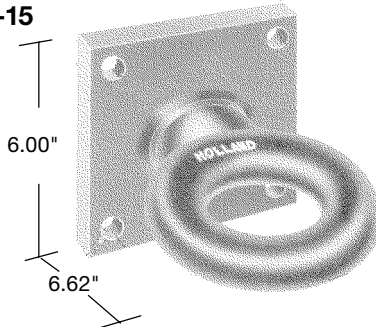
**Bolt-On Drawbar With 3" I. D. Eye With 1.62" Diameter Section
Part No. T-H-DB-1238**

Capacity:
Maximum Vertical (Tongue) Load: 4,500 lbs.
Max Gross Trailer Weight: 22,000 lbs.
NOTE: When used hinged tongue trailer applications where maximum vertical load cannot exceed 500 lbs., the maximum gross trailer weight is 70,000 lbs.



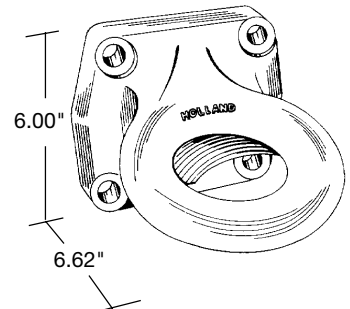
**Drawbar With 4 Bolt Mounting Base 2.5" I. D. Eye With 1.25" x 1.5" Oval Diameter Section
Part No. T-H-DB-1250-15**

Capacity:
Maximum Vertical (Tongue) Load: 7,000 lbs.
Max Gross Trailer Weight: 35,000 lbs.
NOTE: When used hinged tongue trailer applications where maximum vertical load cannot exceed 500 lbs., the maximum gross trailer weight is 50,000 lbs.



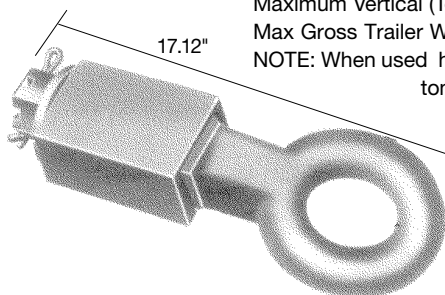
**Drawbar With 4 Bolt Mounting Base 3" I. D. Eye With 1.62" Diameter Section
Part No. T-H-DB-1385**

Capacity:
Maximum Vertical (Tongue) Load: 15,000 lbs.
Max Gross Trailer Weight: 60,000 lbs.
NOTE: When used hinged tongue trailer applications where maximum vertical load cannot exceed 500 lbs., the maximum gross trailer weight is 90,000 lbs.



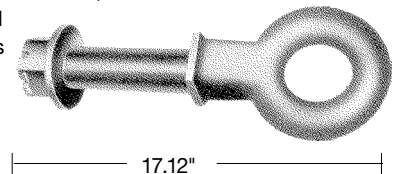
**3" I. D. Eye Forged Steel Drawbar With Induction Hardened Wear Area 1.62" Diameter Section
Part No. T-H-DB-610-30**

Capacity:
Maximum Vertical (Tongue) Load: 9,000 lbs.
Max Gross Trailer Weight: 45,000 lbs.
NOTE: When used hinged tongue trailer applications where maximum vertical load cannot exceed 500 lbs., the maximum gross trailer weight is 85,000 lbs.



**Drawbar With Washer, Nut, and Cotter Pin 3" I. D. Eye With 1.62" Diameter Section
2: O. D. Shank
Part No. T-H-DB-1249-49**

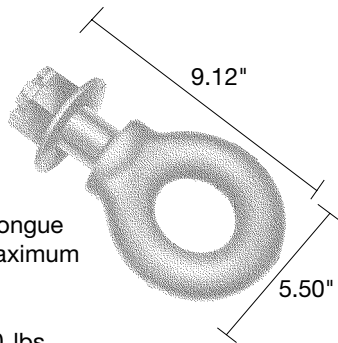
Capacity:
Maximum Vertical (Tongue) Load: 9,000 lbs.
Max Gross Trailer Weight: 45,000 lbs.
NOTE: When used hinged tongue trailer applications where maximum vertical load cannot exceed 500 lbs., the maximum gross trailer weight is 85,000 lbs.



DRAWBARS, TOW HOOKS

Drawbar With Washer, Nut, and Cotter Pin
2.5" I. D. Eye With 1.5" x 1.25" Oval Section.
1.5" O. D. Shank
Part No. T-H-DB-1250-3

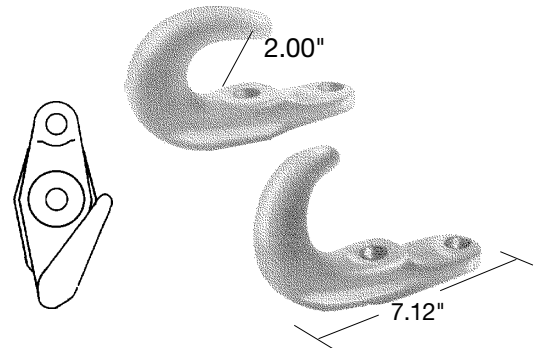
Capacity:
 Maximum Vertical
 (Tongue) Load: 3,000 lbs.
 Max Gross Trailer Weight:
 15,000 lbs.
 NOTE: When used hinged tongue
 trailer applications where maximum
 vertical load cannot exceed
 500 lbs., the maximum
 gross trailer weight is 50,000 lbs.



Right or Left hand Tow Hook With 2" Opening
Part No. T-H-TH-10050-3L
Part No. T-H-TH-10050-3R

26,000 lbs.
 Maximum
 Drawbar Pull

Left Hand



Weld-on Drawbar with 2.38" I.D.
 eye with 1.62" x 1.69" diameter section.
 Use with channel, square, or rectangle
 tube mounting configuration.
 18,000 lb Max Vertical (Tongue) Capacity
 with 90,00 lb max load gross trailer weight.
Part No. T-H-DB-1400

Note: When used for hinged
 tongue trailer applications
 where maximum vertical
 load cannot exceed 500
 lbs., the maximum gross
 trailer weight is 120,000 lbs.



DRAWBAR HINGE KIT



Drawbar Hinge Parts
For Drawbars and Dolly Bracket

Item	Qty.	Part No.	Description
1	1	T-H-1310315 (FCA5315)	Draw Bar Hinge
2	1	T-H-1310275 (FCA5275)	Draw Bar Bracket
3	1	T-H-NL3001	Equalizer Bushing Kit Less Item No.'s 1 & 2.

