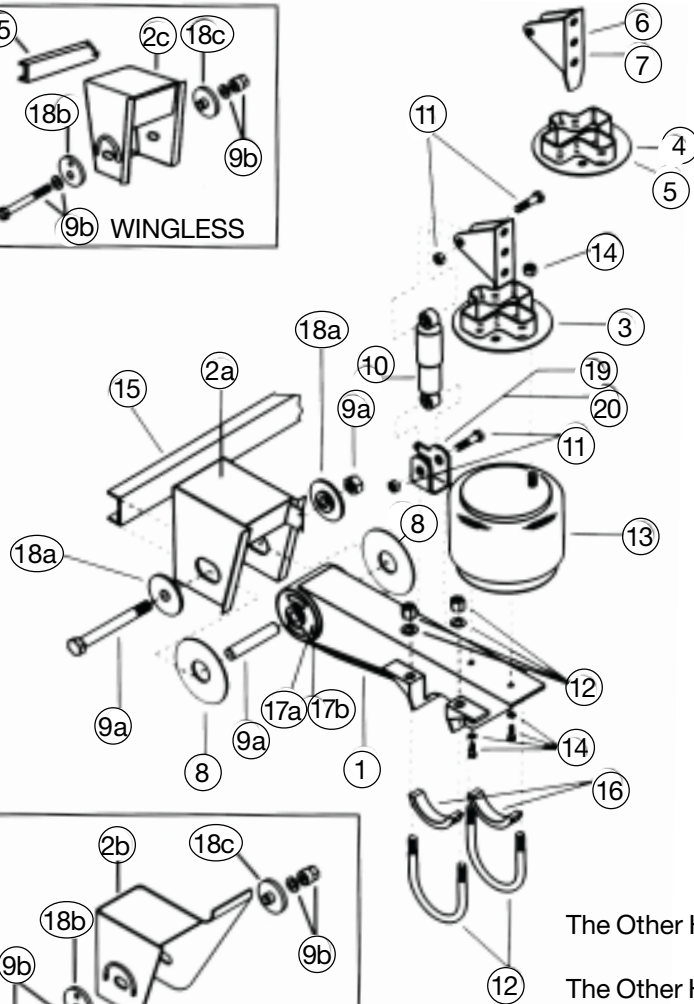
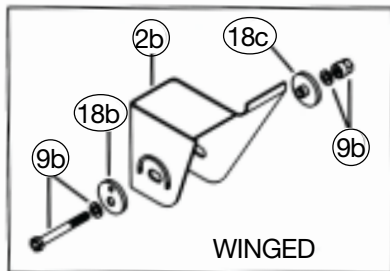
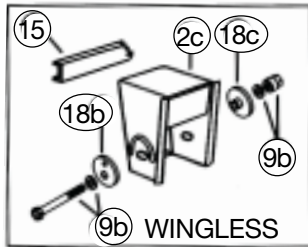


HENDRICKSON HT230 SUSPENSION



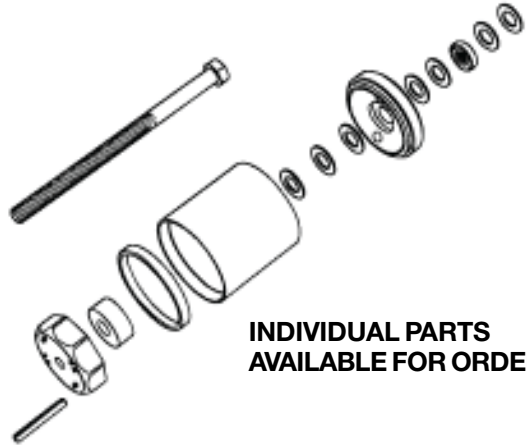
The Other Hendrickson Air Bags are on Page 174

The Other Hendrickson Shock Absorbers are on Page 178

****This is an abbreviated chart, other applications may apply****

Item	Part No.	DESCRIPTION	QUANTITY
1	T-S-S20000-1/T-S-S20000-2	Beam Assembly - Roadside -1, Curbside -2	1
2a	T-S-S20064-1/T-S-S20064-2	Frame Bracket-Wingless, Weld-on Roadside-1, Curbside-2	1
2b	T-S-S21179-1/T-S-S21179-2	Frame Bracket-Winged Quik Align® Roadside-1, Curbside-2	1
2c	T-S-S21590-1/T-S-S21590-2	Frame Bracket-Wingless Quik Align® Roadside-1, Curbside-2	1
3	many numbers	Air Spring/Shock Mount, Ride height application critical	1
4	T-S-S20016-1	Air Spring Spacer Assembly	2
5	T-S-S20037	Air Spring Plate	2
7	T-S-S20023 -	Upper Shock Bracket	2
8	T-S-S11613	Bushing Wear Pad	4
9	T-S-S3646/T-S-S24679	Pivot Bolt Kit, Welded / Quick Align	2
10	T-S-S20002	Shock Absorber	2
11	T-S-S20031/2	Shock Absorber Bolt Kit	2
12	T-S-S20032/4	U-Bolt Kit	2
13	T-S-S20010	Air Spring	2
14	T-S-S20033/2	Air Spring Bolt Kit	2
17	T-S-S6914/T-S-S24691	Tri-Functional Bushing Kit, Welded / Quick Align	2
18	T-S-S2770 or T-S-S20925/T-S-S20924	Alignment Collars, Welded 4 or Eccentric/Concentric Quik Align 2 each	
19	T-S-S20069	Lower Shock Clevis (included in #1 beam assembly)	2
20	T-S-S2723	Lower Shock Bracket	2

HENDRICKSON



**INDIVIDUAL PARTS
AVAILABLE FOR ORDER**

TRI FUNCTIONAL® BUSHING REPLACEMENT TOOL

PART NO. T-S-S21307

Standard Bushing Is 6.75" Wide. A Seperate tool is available for the Vantrax HKA180 models (S24736)



Part No. T-S-VS227

Height Control Valves are adaptable to all tractor, truck and trailer air-ride suspensions regardless of manufacturer, model or year. Standard original equipment on all INTRAAX® and VANTRAAX® trailer air suspension systems and many truck and tractor suspensions. This Height Control Valve provides twice the airflow of comparable sized valves. Quicker "airup" improved response and faster exhaust delivers greater stability during loading and unloading. Fewer moving parts, large bearing surface areas and multiple seals make our valve more resistant to side loading and misalignment issues often experienced in the field.



Part No. T-S-AKH43-3

Non-Delay Height Control Kit
For HT & HS Suspensions

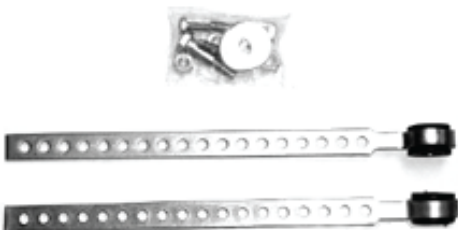
Kit Includes:

- S24642 Height Control Valve
- S1128 Pressure Protection Valve
- Bolted Link Assembly
- Clamp Link Assembly
- Brass Elbows & Plugs



Part No. T-S-A14187

Bolted Link Assembly



HENDRICKSON

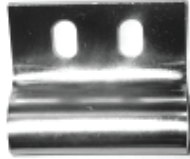
Part No. T-S-S11613
Delrin Bushing Wear Pad
Standard on all Suspensions



Part No. T-S-S25593
Sure-Lok Air Spring Actuator Assembly



Part No. T-S-S14108
Cup Body Rail for Sliders
1-1/2" Hole Centers



Part No. T-S-S2770
Alignment Collar



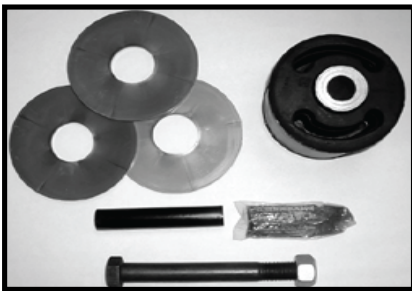
Part No. T-S-VS1968
Mini Filter/Regulator,
1/8" ports.



Part No. T-S-A2552
Turner Pilot 4-Way Valve
All Ports 1/4" N.P.T.F.; Except
Pilot Port Which is 1/8" N.P.T.F.



Part No. T-S-S23579/2
Sealed Dustshield Kit
Kit Contains:
• Dustshield Clamp
• Grommet
• Blind Grommet
• Split Grommet
• Clamp-On Dustshield



Welded Alignment Pivot Bushing Kit (Per Hanger)
PART NO. T-S-S6914

DESCRIPTION	QTY
Delrin Liner	1
1-7/8"-7 x 9-3/4" Cap Screw	1
1-1/8"-7 Hex Nut	1
Bushing Wear Pad	3
TRI-FUNCTIONAL® II BUSING	1
Lubricant Packet	1



QUICK ALIGN® PIVOT BUSHING KIT(PER HANGER)
PART NO. T-S-S24691

DESCRIPTION	QTY
7/8" Hardened Flat Washer	2
7/8"-9 x 10" Shear Type Bolt	1
7/8"-9 UNC Prevailing Torque Heavy Hex Nut	1
Bushing Wear Pad	3
TRI-FUNCTIONAL® II BUSING	1
Lubricant Packet	1

QUICK ALIGN® PIVOT BOLT KIT(PER HANGER)
PART NO. T-S-S24679 (1 Kit Only! / 2 are Needed For One Full Suspension)
PART NO. T-S-S26231 (Good For One Full Suspension)

Commonly used with S20924 & S20925 Flange
Washer Inner Quick Align & Center Quick Align.



QUICK ALIGN® PIVOT BUSHING KIT (PER HANGER) PART NO. T-S-S3646

DESCRIPTION	QTY
Delrin Liner	2
1-7/8"-9-3/4" Shear Type Bolt	1
1-7/8"-7 Hex Nut	1

