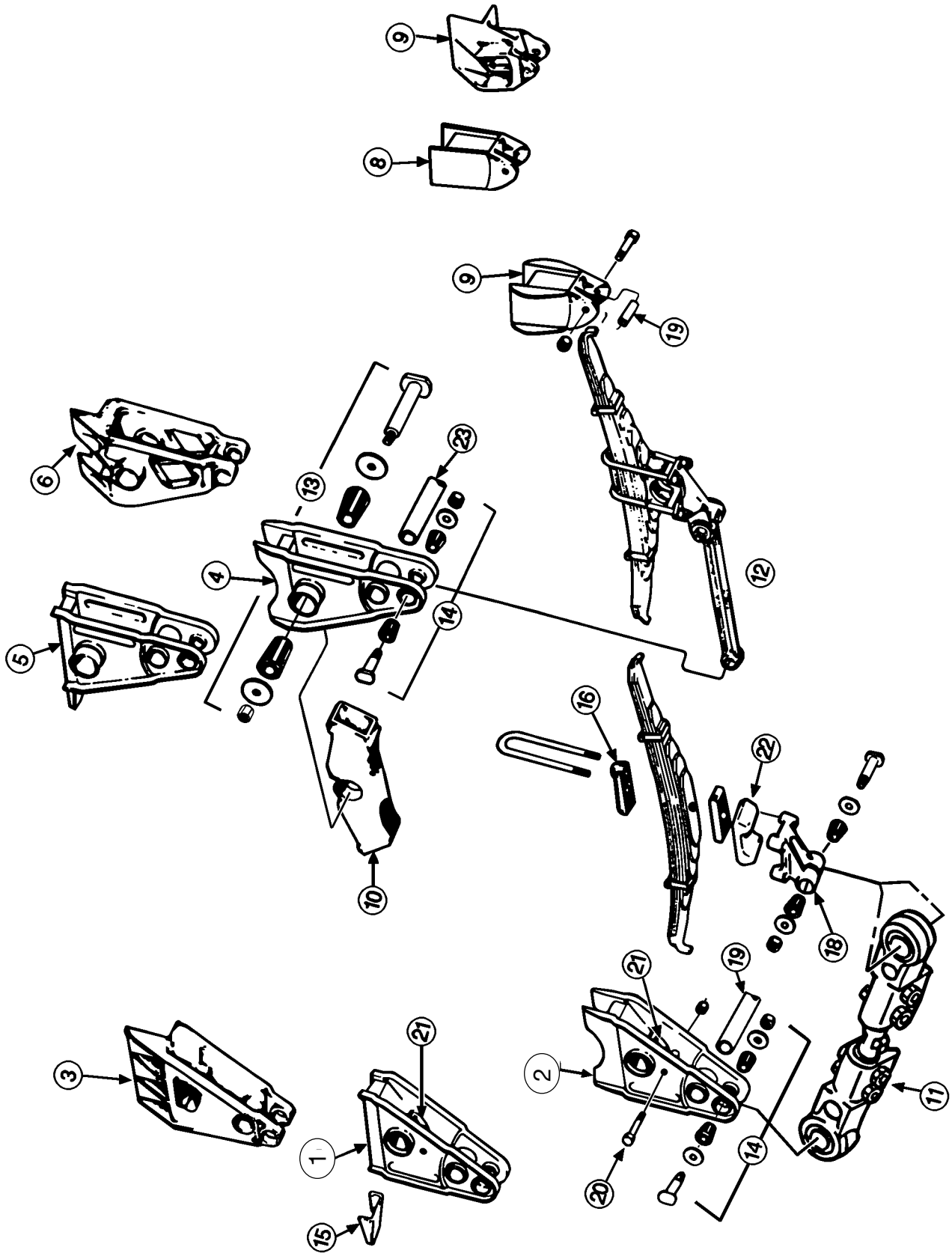


PRO-PAR SUSPENSION PARTS

F-2 Under construction



PRO-PAR SUSPENSION PARTS

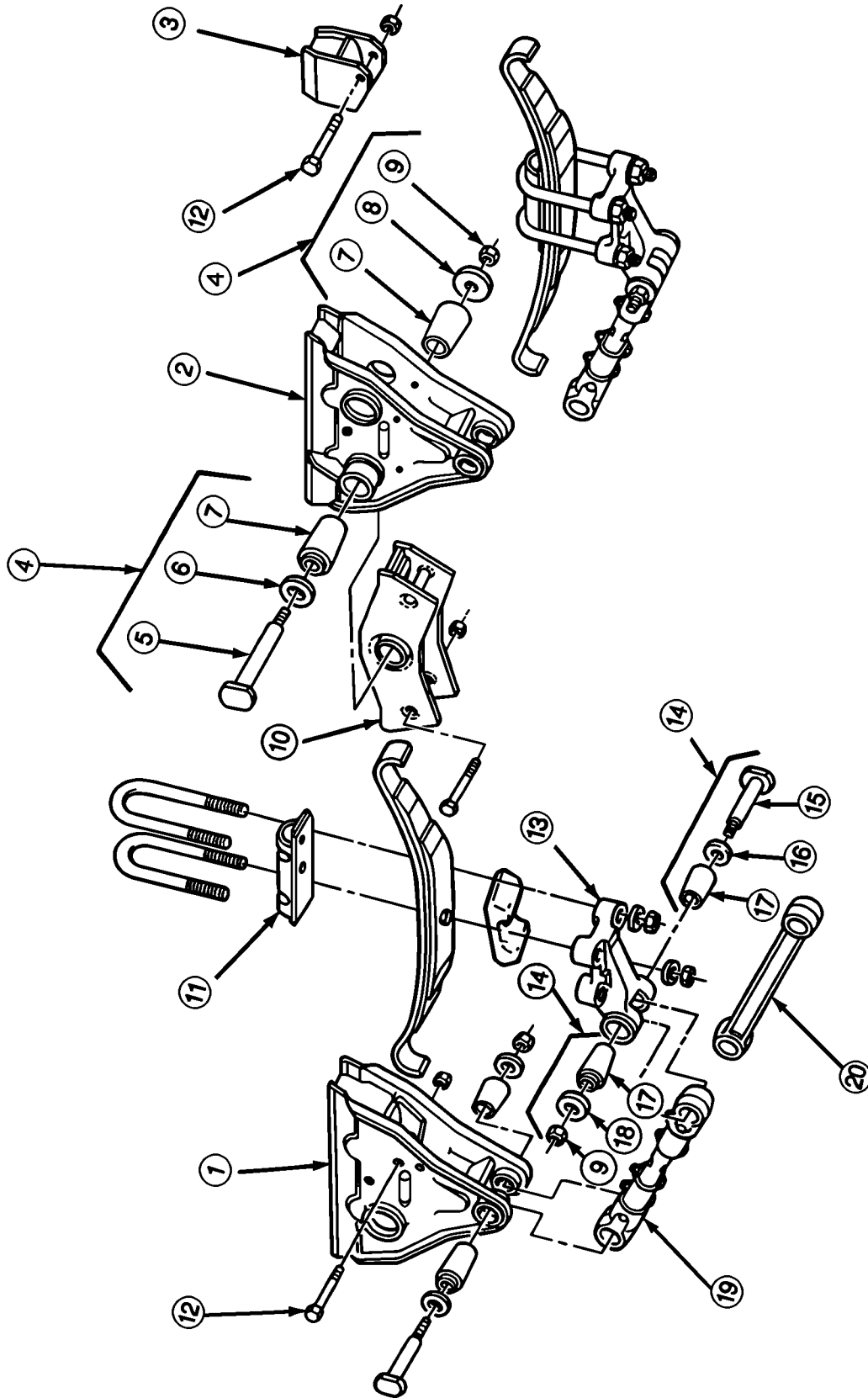
F-2 Underconstruction

F-2 Under construction

Item No.	Fruehauf Part No.	Holland Pro-Par Part No.	Description
1.	UCF 002467 001	T-S-U-CF2467-1	Front Hanger, Under Mount
2.	UCF 002473 001	T-S-U-CF2473-1	Front Hanger, Straddle Mount
3.	UXA 000066	T-S-U-XA0066	Front Hanger, Cast, LH
	UXA 000066 001	T-S-U-XA0066-1	Front Hanger, Cast, RH
4.	UXA 000021	T-S-U-XA0021	Equalizer Hanger, Straddle Mount
5.	UXA 000034	T-S-U-XA0034	Equalizer Hanger, Under Mount
6.	UXA 000067	T-S-U-XA0067	Equalizer Hanger, Cast, LH
	UXA 000067 001	T-S-U-XA0067-1	Equalizer Hanger, Cast, RH
7.	UCF 002470 001	T-S-U-CF2470-1	Rear Hanger, Under Mount
8.	UCF 002471 001	T-S-U-CF2471-1	Rear Hanger, Straddle Mount
9.	UXA 000065	T-S-U-XA0065	Rear Hanger, Cast, LH
	UXA 000065 001	T-S-U-XA0065-1	Rear Hanger, Cast, RH
10.	UXA 000017	T-S-U-XA0017	Equalizer, Cast Steel
	UCF 001463 001	T-S-U-CF1463-1	Equalizer, (Fab Steel Obsolete)
11.	UCF 002640 001	T-S-U-CF2640-1	Adjustable Radius Rod Assembly
12.	UXA 000026 001	T-S-U-XA0026-1	Fixed Radius Rod
13.	UXA 00004 900	T-S-U-XA0004-900	Equalizer Bushing Kit
14.	UXA 000011 900	T-S-U-XA0011-900	Radius Rod Bushing Kit
15.	UXA 000063	T-S-U-XA0063	Hanger Reinforcement
16.	UCC 005998 001	T-S-U-CC5998-1	Saddle, Cast
	UCE 008801 001	T-S-U-CE8801-1	Saddle
17.	UXA 000048	T-S-U-XA0048	Chair Spacer
18.	AXA 000495 001	T-S-A-XA0495-1	Axle bracket
19.	UCD 009015 001	T-S-U-CD9015-1	Spacer
20.	FSP 005-03 012	T-S-FSP 5-3-12	Hanger Bolt
21.	BCB 008841 900	T-S-B-CB8841-900	Wear plate
22.	AXA 000512 001	T-S-A-XA0512-1	Spring Chair
23.	FCA 000759 001	T-S-F-CA0759-1	Cross Brace
F-2 Under Construction Kit			
	UXA 000029 902	T-S-U-XA0029-902	Outboard Hanger Suspension Kit Less Spring and Riser Kit
	UXA 000029 903	T-S-U-XA0029-903	Under Mount Hanger Suspension Kit Less Spring and Riser Kit

PRO-PAR SUSPENSION PARTS

F-2 Under construction Wide Base hangers



PRO-PAR SUSPENSION PARTS

F-2 Under construction Wide Base hangers

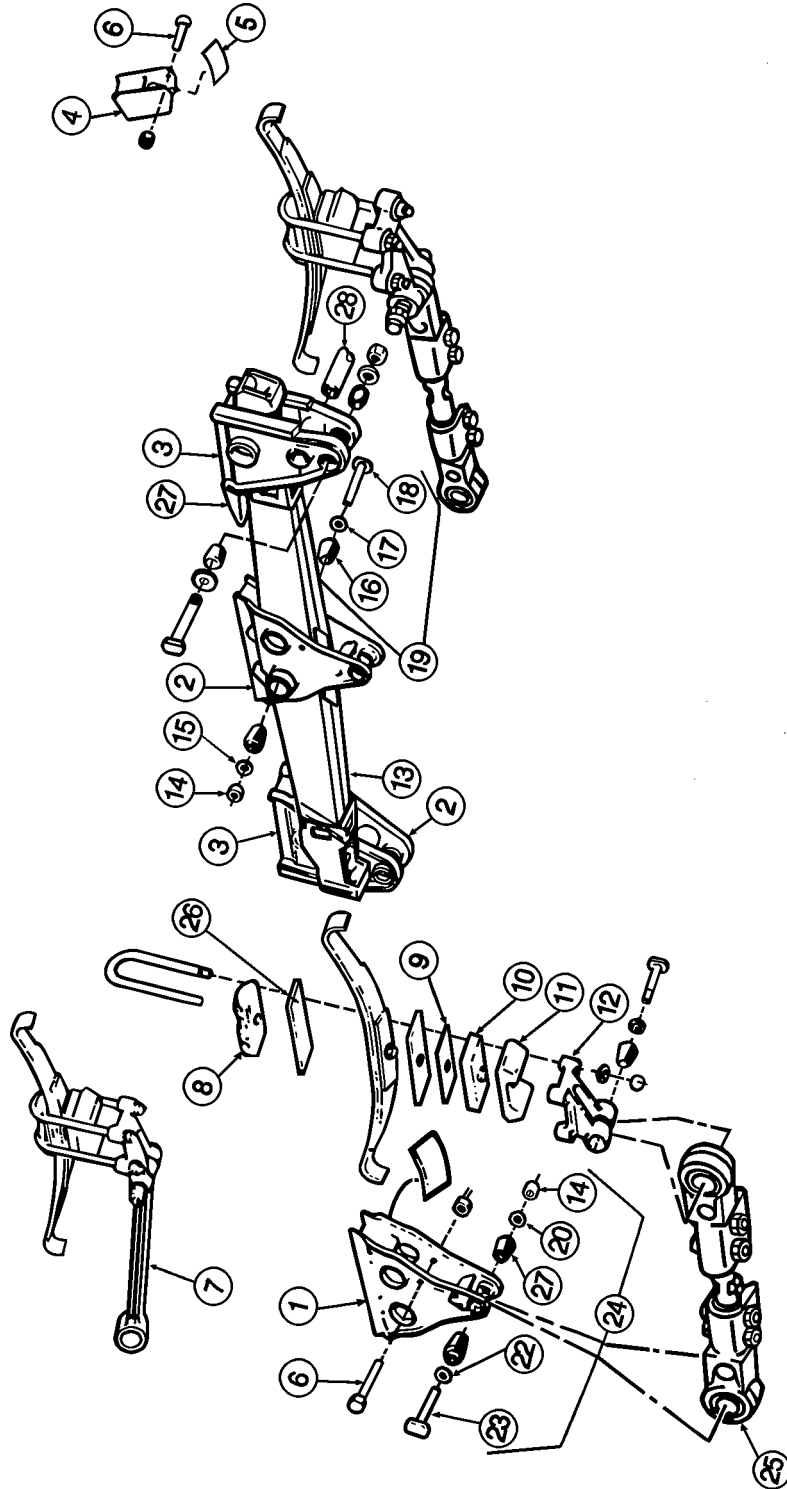
F-2 Underconstruction Wide Base hangers

Item No.	Fruehauf Part No.	Pro-Par Part No.	Description
1.	UCF 001466 001	T-S-U-CF1466-1	Front Hanger
2.	UCE 007746 001	T-S-U-CE7746-1	Equalizer Hanger
3.	UCF 005858 001	T-S-U-CF5858-1	Rear Hanger
4.	UXA 000004 900	T-S-U-XA0004-900	Equalizer Bushing Kit
5.	UXA 000015 001	T-S-U-XA0015-1	Equalizer Bolt
6.	UXA 000356 001	T-S-U-XA0356-1	Washer
7.	UXA 000004	T-S-U-XA0004	Bushing
8.	UXA 000003	T-S-U-XA0003	Washer
9.	FSP 006-02 009	T-S-FSP6-2-9	Lock Nut
10.	UXA 000017	T-S-U-XA0017	Equalizer, Cast
11.	UCF 006963 001	T-S-U-CF6963-1	Equalizer, Ductile
12.	UCE 008801 001	T-S-U-CE8801-1	Saddle
13.	FSP 005-03 012	T-S-FSP5-3-12	Hanger Bolt
14.	AXA 000495 001	T-S-A-XA0495-1	Axle Bracket
15.	UXA 000011 900	T-S-U-XA0011-900	Radius Rod Bushing Kit
16.	UXA 000016	T-S-U-XA0016	Radius Rod Bolt
17.	UXA 000356 001	T-S-U-XA0356-1	Washer
18.	UXA 000011	T-S-U-XA0011	Bushing
19.	UXA 000002	T-S-A-XA0002	Washer
20.	UCF 002640 001	T-S-U-CF2640-1	Adjustable Radius Rod Assembly
21.	UXA 000026 001	T-S-U-XA0026-1	Fixed Radius Rod
	AXA 000512 001	T-S-A-XA0512-1	Chair/Spring
F-2 Under Construction Kit			
	UCE 004985 900	T-S-U-CE4985-900	Wide base Outboard Hanger
Suspension Kit Less Spring and Riser Kit			

PRO-PAR SUSPENSION PARTS

F-2 Widespread Underconstruction Wide Base Hangers

F-2 Widespread Underconstruction Wide Base Hangers



PRO-PAR SUSPENSION PARTS

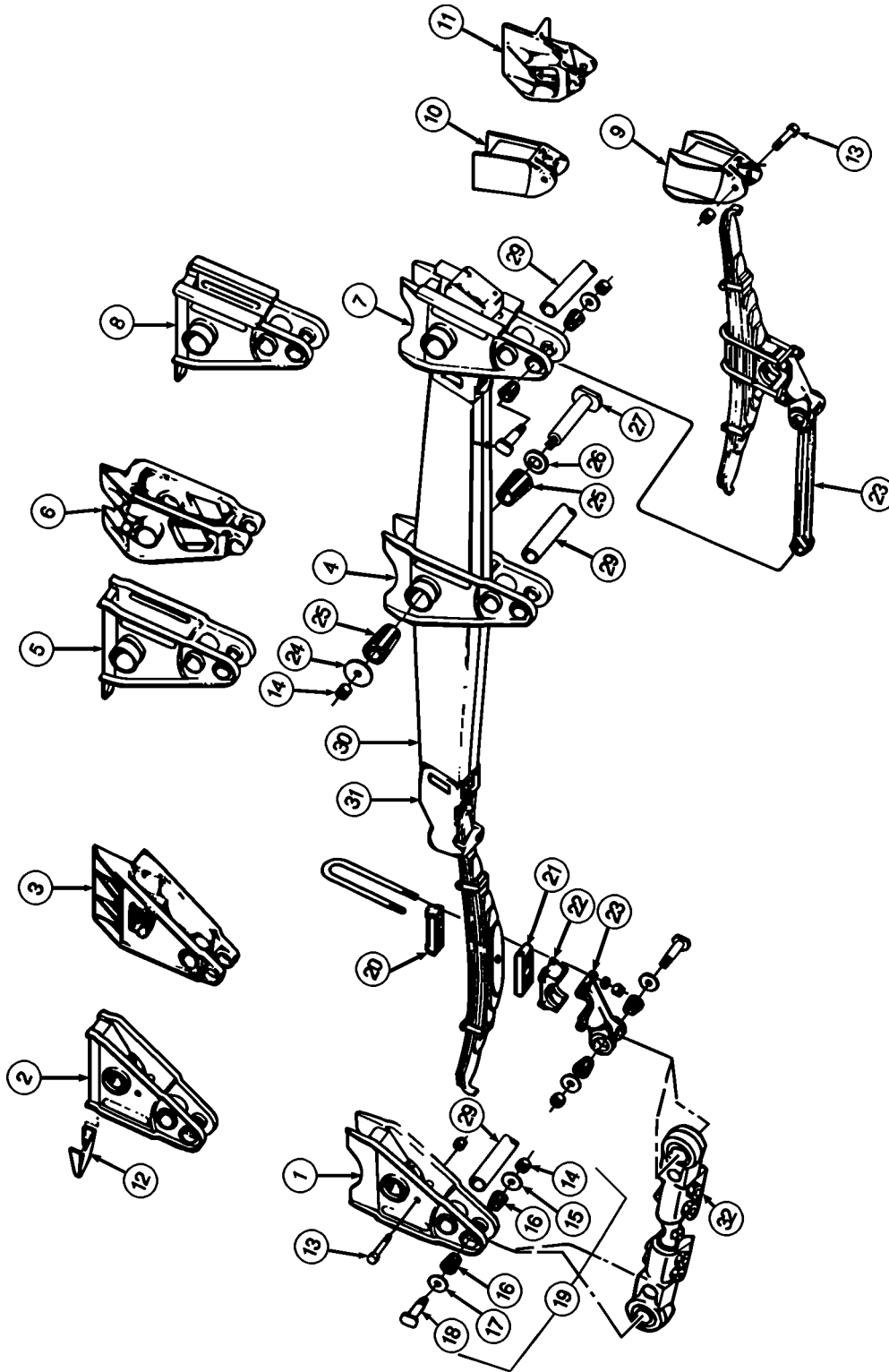
F-2 Widespread Underconstruction Wide Base Hangers

Item No.	Fruehauf Part No.	Pro-Par Part No.	Description
1.	UCF 001466 001	T-S-U-CF1466-1	Front Hanger
2.	UCE 007746 001	T-S-U-CE7746-1	Equalizer Hanger
3.	UXA 000054	T-S-U-XA0054	Guide Hanger Assembly
4.	UCE 007745 001	T-S-U-CE7745-1	Rear Hanger
5.	UCE 007740 001	T-S-U-CE7740-1	Wear Plate
6.	FSP 005-03 012	T-S-FSP 5-3-12	Bolt
7.	UXA 000026 001	T-S-U-XA0026-1	Fixed Radius Rod Assembly
8.	UCC 005998 001	T-S-U-CC5998-1	Saddle, Cast
9.	UCE 008801 001 UCC 004365 001	T-S-U-CE8801-1 T-S-U-CE4365-1	Saddle Plate
10.	UXA 000048	T-S-U-XA0048	Spring Chair Spacer
11.	AXA 000512 001	T-S-A-XA0512-1	Spring Chair
12.	AXA 000495 001	T-S-A-XA0495-1	Axle Bracket
13.	UXA 000049	T-S-U-XA0049	109" Spread Equalizer
	UXA 000263	T-S-U-XA0263	121" Spread Equalizer
	UCC 000364 001	T-S-U-CC0364-1	73" Spread Equalizer
14.	FSP 006-02 009	T-S-FSP 6-2-9	Nut
15.	UXA 000003	T-S-U-XA0003	Washer
16.	UXA 000004	T-S-U-XA0004	Bushing
17.	UXA 000356 002	T-S-U-XA0356-2	Washer
18.	UXA 000015 001	T-S-U-XA0015-1	Bolt
19.	UXA 00004 900	T-S-U-XA0004-900	Radius Rod Bushing Kit
20.	UXA 000002	T-S-U-XA0002	Washer
21.	UXA000011	T-S-U-XA0011	Bushing
22.	UXA 000356 001	T-S-U-XA0356-1	Washer
23.	UXA 000016	T-S-U-XA0016	Bolt
24.	UXA000011 900	T-S-U-XA0011-900	Radius Rod Bushing Kit
25.	UCF 002640 001	T-S-U-CF2640-1	Adjustable Radius Rod Assembly
26.	MSU LINER 300	T-S-MSU LINER 300	Delrin
27.	UXA 000063	T-S-U-XA0063	Hanger Reinforcement
28.	FCA 000759 001	T-S-F-CA0759-1	Cross Pipe

PRO-PAR SUSPENSION PARTS

F-2 Widespread Underconstruction For 5" Round Axles

F-2 Widespread Underconstruction For 5" Round Axle



PRO-PAR SUSPENSION PARTS

F-2 Widespread Underconstruction For 5" Round Axles

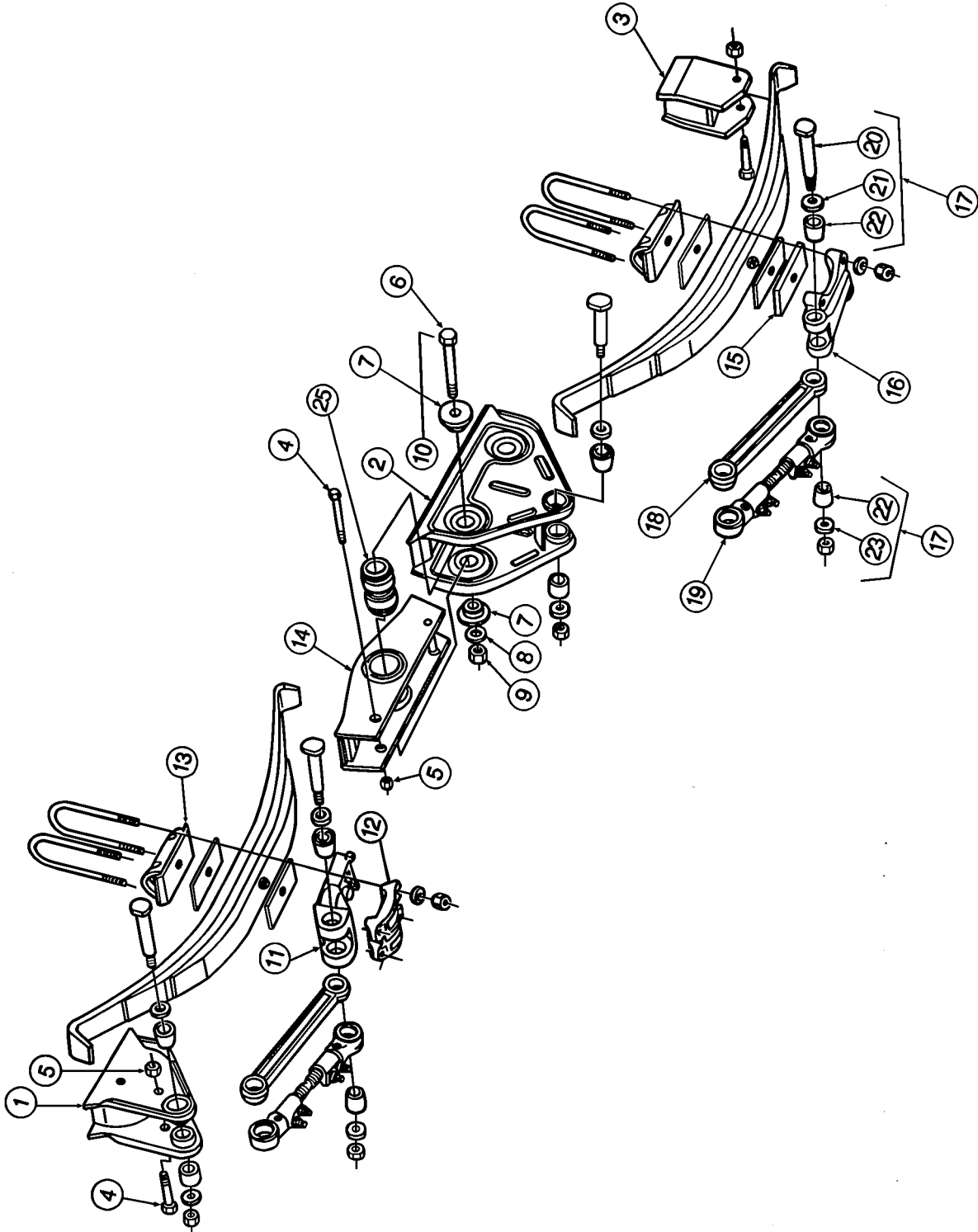
F-2 Widespread Underconstruction For 5" Round Axle

Item No.	Fruehauf Part No.	Pro-Par Part No.	Description
1.	UCF 002473 001	T-S-U-CF2473-1	Front Hanger, Straddle Mount
2.	UCF 002467 001	T-S-U-CF2467-1	Front Hanger, Under Mount
3.	UXA 000066	T-S-UXA0066	Front Hanger, Cast LH
	UXA 000066-001	T-S-U-XA0066-1	Front Hanger, Cast RH
4.	UXA 000021	T-S-U-XA0021	Equalizer Hanger, Straddle Mount
5.	UXA 000034	T-S-U-XA0034	Equalizer Hanger, Under Mount
6.	UXA 000067	T-S-U-XA0067	Equalizer Hanger, Cast LH
	UXA 000067 001	T-S-U-XA0067-1	Equalizer Hanger, Cast RH
7.	UXA 000057	T-S-U-XA0057	Guide Hanger, Straddle Mount
8.	UXA 000054	T-S-U-XA0054	Guide Hanger, Under Mount
9.	UCF 002471 001	T-S-U-CF2471-1	Rear Hanger, Straddle Mount
10.	UCF 002470 001	T-S-U-CF2470-1	Rear Hanger, Under Mount
11.	UXA 000065	T-S-U-XA0065	Rear Hanger, Cast LH
	UXA 000065 001	T-S-U-XA0065-1	Rear Hanger, Cast RH
12.	UXA 000063	T-S-U-XA0063	Hanger Reinforcement
13.	FSP 005-03 012	T-S-FSP 5-3-12	Bolt
14.	FSP 006-02 009	T-S-FSP 6-2-9	Nut
15.	UXA 000002	T-S-U-XA0002	Washer
16.	UXA 000011	T-S-U-XA0011	Bushing
17.	UXA 000356 001	T-S-U-XA0356-1	Washer
18.	UXA 000016	T-S-U-XA0016	Bolt
19.	UXA 000011 900	T-S-U-XA0011-900	Radius Rod Bushing Kit
20.	UCC 005998 001	T-S-U-CC 5998-1	Saddle, Cast
	UCE 008801 001	T-S-U-CE8801-1	Saddle
21.	UXA 000048	T-S-U-XA0048	Spacer
22.	UXA 000047	T-S-U-XA0047	Chair
23.	UXA 000028	T-S-U-XA0028	Axle Bracket, Round Axle
24.	UXA 000003	T-S-U-XA0003	Washer
25.	UXA 000004	T-S-U-XA0004	Bushing
26.	UXA 000356 001	T-S-U-XA0356-1	Washer
27.	UXA 000015 001	T-S-U-XA0015-1	Bolt
28.	UXA 000004 900	T-S-U-XA0004-900	Equalizer Bushing Kit
29.	FCA 000759 001	T-S-F-CA0759-1	Cross Brace
30.	UXA 000049	T-S-U-XA0049	109" Spread Equalizer
	UXA 000263	T-S-U-XA0263	121" Spread Equalizer
	UCC 000364 001	T-S-U-CC0364-1	73" Spread Equalizer
31.	UXA 000051	T-S-U-XA0051	Equalizer End
32.	UCF 002640 001	T-S-U-CF2640-1	Adjustable Radius Rod Assembly
33.	UXA 000026 001	T-S-U-XA0026-1	Fixed Radius Rod

PRO-PAR SUSPENSION PARTS

NF-2 Underconstruction

NF-2 Underconstruction



PRO-PAR SUSPENSION PARTS

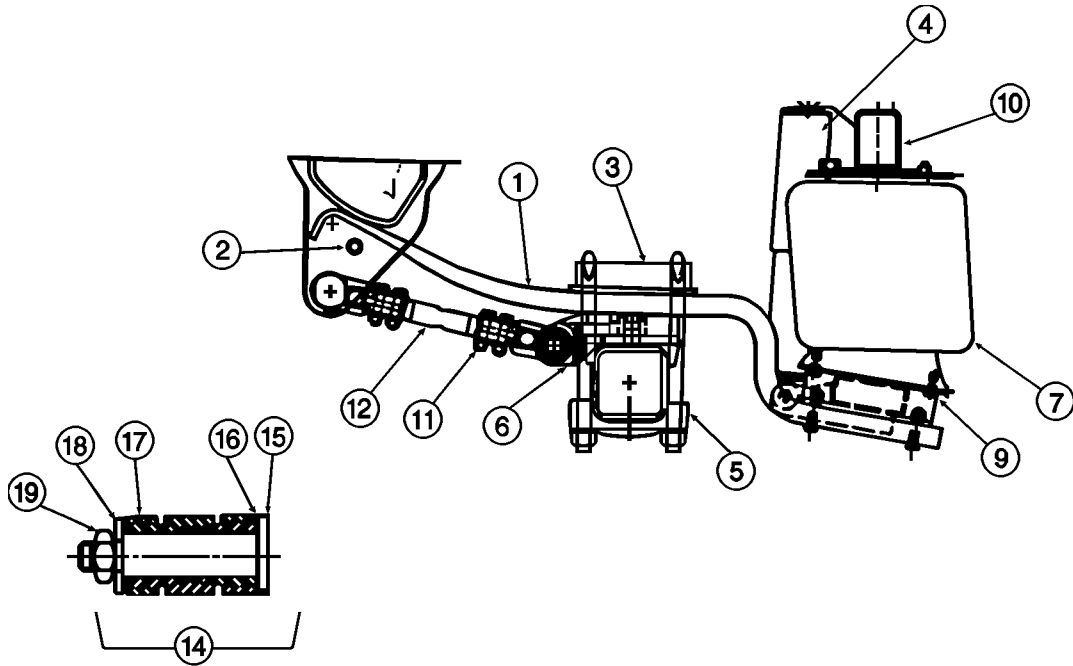
NF-2 Underconstruction

NF-2 Underconstruction

Item No.	Fruehauf Part No.	Pro-Par Part No.	Description
1.	UCF 006668 001	T-S-U-CF6668-1	Front Hanger
2.	UCF 006672 001	T-S-U-CF6672-1	Equalizer Hanger
3.	UCF 005858 002	T-S-U-CF5858-2	Rear Hanger
4.	FSP 005-03 049	T-S-FSP 5-3-54	Bolt
5.	FSP 006-02 006	T-S-FSP 6-2-15	Nut
6.	FSP 005-03 028	T-S-FSP 5-3-28	Bolt
7.	UCF 006703 001	T-S-U-CF6703-1	Bushing
8.	FSP 007-02 010	T-S-FSP 7-2-10	Washer
9.	FSP 006-02 009	T-S-FSP 6-2-9	Nut
10.A.	UCF 006703 900	T-S-U-CF6703-900	Bolt Bushing Kit (#'s 6,7,8,9,25 incl)
10.B	UCF 006703 901	T-S-U-CF6703-901	Bolt Kit (#'s 6,7,8,9 incl)
11.	UCF 006696 001	T-S-U-CF6696-1	Front Chair
12.	UCF 002610 001	T-S-U-CF2610-1	Axle Bracket
13.	UCE 008801 001	T-S-U-CE8801-1	Saddle
14.	UCC 005998 001	T-S-U-CC5998-1	Saddle, Cast
	UCF 008317 002	T-S-U-CF8317-2	Equalizer, Hardened
15.	UCF 008317 001	T-S-U-CF8317-1	Equalizer
	UXA 000048	T-S-U-XA0048	Spacer Block
16.	UCC 004920 001	T-S-U-CC4920-1	Axle Bracket
17.	UXA 000011 900	T-S-U-XA0011-900	Radius Rod Bushing Kit
18.	UXA 000026 001	T-S-U-XA0026-1	Fixed Radius Rod
19.	UCF 002640 001	T-S-U-CF2640-1	Adjustable Radius Rod Assembly
20.	UXA 000016	T-S-U-XA0016	Radius Rod Bolt
21.	UXA0000356 001	T-S-U-XA00356-1	Washer
22.	UXA000011	T-S-U-XA0011	Bushing
23.	UXA 000002	T-S-U-XA0002	Washer
24.	AXA 000512 001	T-S-A-XA0512-1	Spring Chair (not shown)
25.	UCF 006699 001	T-S-U-CF6699-1	Equalizer Bushing

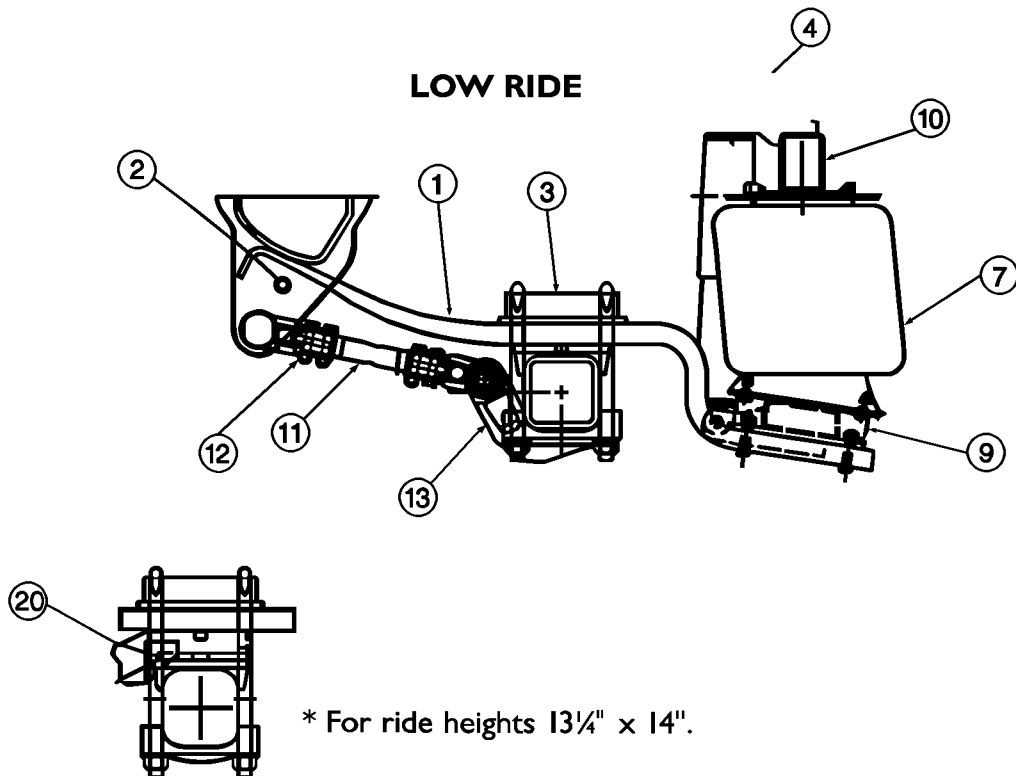
PRO-PAR NT SUSPENSION PARTS

NT Underconstruction



NT Underconstruction

LOW RIDE



* For ride heights 13¼" x 14".

PRO-PAR SUSPENSION PARTS

NT Underconstruction

NT Underconstruction

Item No.	Fruehauf Part No.	Pro-Par Part No.	Description
1.	UCF 008314 001	T-S-U-CF8314-1	Arm Spring
2.	UCF 006668 001	T-S-U-CF6668-1	Front Hanger
3.	UCE 008801 001	T-S-U-CE8801-1	Saddle
	UVA 000056 001	T-S-U-VA0056-1	Saddle With Stabilizer Bracket
4.	UCF 008339 001	T-S-U-CF8339-1	Shock Absorber
5.	UCF006696 001	T-S-U-CF6696-1	Spring Chair
6.	UCF 002610 001	T-S-U-CF2610-1	Axle Bracket
7.	UCF 009393 002	T-S-U-CF9393-2	Air Bag
8.	FCF 008248 901	T-S-F-CF8248-902	Stabilizer Uni-Rod kit 20"-30"
9.	UVA 000008 001	T-S-U-VA0008-1	Base Plate Assembly
10.	UCF 009172 001	T-S-U-CF9172-1	Mounting Ass'y Top, 38" Sp. Centers
	UCF 009172 003	T-S-U-CF9172-3	Mounting Ass'y Top, 44" Sp. Centers
11.	UCF 002640 001	T-S-U-CF2640-1	Adjustable Radius Rod
12.	UXA 000026 001	T-S-U-XA0026-1	Fixed Radius Rod
13.	UCF 006702 001	T-S-U-CF6702-1	Axle Bracket
14.	UXA 000011 900	T-S-U-XA0011-900	Bushing Kit
15.	UXA 000016	T-S-U-XA0016	Bolt
16.	UXA 000356 001	T-S-U-XA0356-1	Washer
17.	UXA 0000011	T-S-U-XA0011	Bushing
18.	UXA 000002	T-S-U-XA0002	Washer
19.	FSP 006-02 009	T-S-FSP 6-2-9	Nut
20.	UCF 006972 003	T-S-U-CF6972-3	3/4" Spacer Plate
			(For 14" x 15" ride height)
	NT-1 Suspension Kits		
	UVA 000001 911	T-S-U-VA0001-911	Suspension Kit 38" Spring Centers
	UVA 000001 915	T-S-U-VA0001-915	Suspension Kit 44" Spring Centers

PRO-PAR SUSPENSION PARTS



Front Hanger, Undermount	
F Series Suspensions	
Part No.	Replaces
T-S-U-CF2467-1	UCF002467 001



Front Hanger Undermount	
Wide Base, F Series Suspensions	
Part No.	Replaces
T-S-U-CF1466-1	UCF001466 001



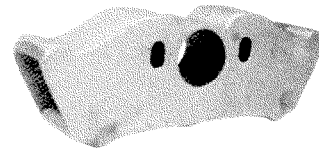
Equalizer Hanger, Undermount	
F Series Suspensions	
Part No.	Replaces
T-S-U-XA0034	UXA000034



Equalizer Hanger, UnderMount	
Wide Base, F Series Suspensions	
Part No.	Application
T-S-U-CE7746-1	UCE007746 001



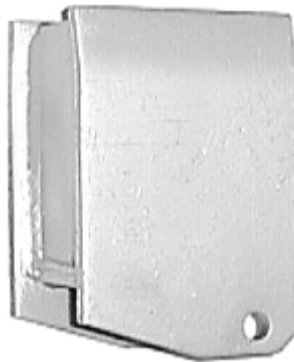
Ductile Cast Equalizer	
F Series Suspensions	
Part No.	Replaces
T-S-U-CF6963-1	UCF006963 001



Cast Equalizer	
Series Suspensions	
Part No.	Replaces
T-S-UXA000017	-



Rear Hanger, Undermount	
F Series Suspensions	
Part No.	Replaces
T-S-U-CF2470-1	UCF002470 001



Rear Hanger, UnderMount	
Wide Base, F Series Suspensions	
Part No.	Replaces
T-S-U-CF5858-1	UCE005858 001



Top Plate	
F Series Suspensions, Multi-Leaf	
Part No.	Replaces
T-S-U-CE8801-1	UCE008801001

PRO-PAR SUSPENSION PARTS



1 1/2" High, 3" Wide, 6 1/2" Long

Spring Spacer	
F Series Suspensions	
Part No.	Replaces
T-S-U-XA0048	UXA000048



15 7/16" C/C Length

Fixed Radius Rod	
F Series Suspensions	
Part No.	Replaces
T-S-U-XA0026-1	UXA000026-001



Axle Bracket, For 5" Rd Axle	
F2 Series Suspensions	
Part No.	Replaces
T-S-U-XA0028	UXA000028

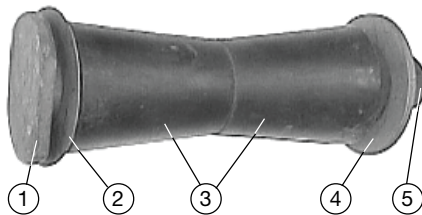


15 7/16" C/C Length

Adjustable Radius Rod	
F Series Suspensions	
Part No.	Replaces
T-S-U-CF2640-1	UCF002640-001



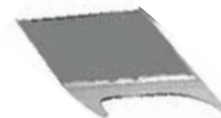
Axle Bracket, For 5" Sq. Axle	
F Series Suspensions	
Part No.	Replaces
T-S-A-XA0495-1	AXA000495-001



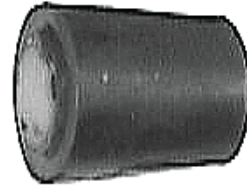
Radius Rod Bushing Kit		
F Series Suspensions		
Part No.	Replaces	
T-S-NL3000	UXA000011-900	
Item	Part No.	Description
1	T-S-U-XA0016	Bolt
2	T-S-U-XA0356-1	Washer
3	T-S-UXA000011	Bushing
4	T-S-U-XA0002	Washer
5	T-S-FSP 6-2-9	Nut



Spring Seat	
F Series Suspensions	
Part No.	Replaces
T-S-A-XA0512-1	AXA000512-001

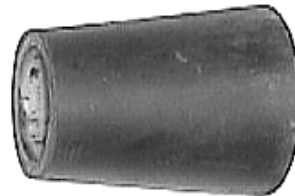


5" Rd Axle Seat for F2 Suspension	
Part No.	Replaces
T-S-A-CF8391-1	ACF008391-001



<p>Radius Rod Bushing Kit For Fruehauf "F" Series Suspensions</p>
<p>Replaces UXA000011-900</p>
<p>Part No. T-S-NL3000</p>

<p>Radius Rod Bushing For Fruehauf "F" Series Suspensions</p>
<p>Replaces UXA000011</p>
<p>Part No. T-S-7620-00</p>



<p>Equalizer Bushing Kit For Fruehauf "F" Series Suspensions</p>
<p>Replaces UXA00004-900</p>
<p>Part No. T-S-NL3001</p>

<p>Equalizer Bushing For Fruehauf "F" Series Suspensions</p>
<p>Replaces UXA00004</p>
<p>Part No. T-S-E1020</p>



<p>Equalizer Bolt Kit For Fruehauf NF-2 Series Suspensions</p>
<p>Replaces UCF006703901</p>
<p>Part No. T-S-U-CF6703-901</p>